



# Installation instructions, accessories

Volvo Car Corporation Gothenburg, Sweden

Instruction No	Version	Part. No.
31408212	1.0	31373091

## Parking assistance, rear



# Installation instructions, accessories

Volvo Car Corporation Gothenburg, Sweden


## Special tools

	<p>999 5919 PULLER (SEAL-PINION,CAM-CRANKSHAFT)B200-6304</p> <p>Tool number:999 5919</p> <p>Tool description:PULLER (SEAL-PINION,CAM-CRANKSHAFT)B200-6304</p> <p>Tool boards:46</p>
	<p>999 7234 Hole stamp</p> <p>Tool number:999 7234</p> <p>Tool description:Hole stamp</p> <p>Tool boards:80</p>

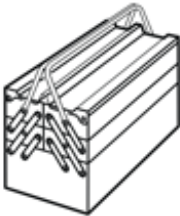
## Materials

Designation	Part number
Isopropanol	1161721
Sand paper P1000	
Volvo Original Touch-up paint	
Varnish 2-component	31335447
Activator	8637076


## Equipment



IMG-275777



A0000162



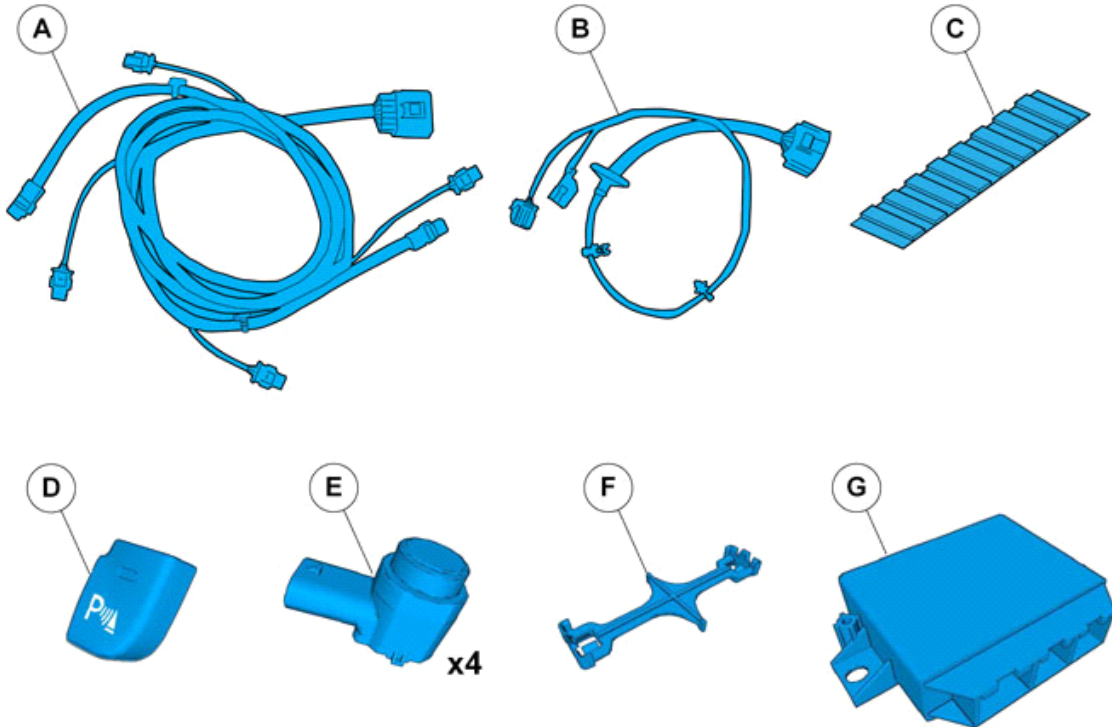
IMG-239664

**Nm**  
**lbf.ft**



# Installation instructions, accessories

Volvo Car Corporation Gothenburg, Sweden

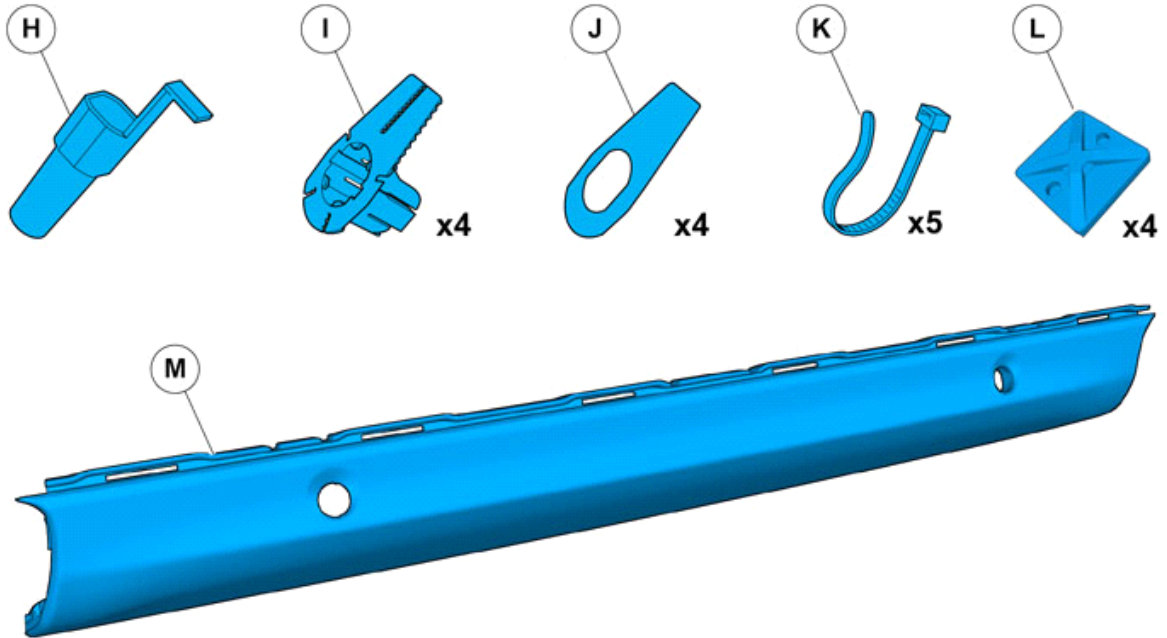


IMG-377522



# Installation instructions, accessories

Volvo Car Corporation Gothenburg, Sweden



IMG-377521



# Installation instructions, accessories

Volvo Car Corporation Gothenburg, Sweden

## Information

1

Read through all of the instructions before starting installation.

Notifications and warning texts are for your safety and to minimise the risk of something breaking during installation.

Ensure that all tools stated in the instructions are available before starting installation.

Certain steps in the instructions are only presented in the form of images. Explanatory text is also given for more complicated steps.

In the event of any problems with the instructions or the accessory, contact your local Volvo dealer.

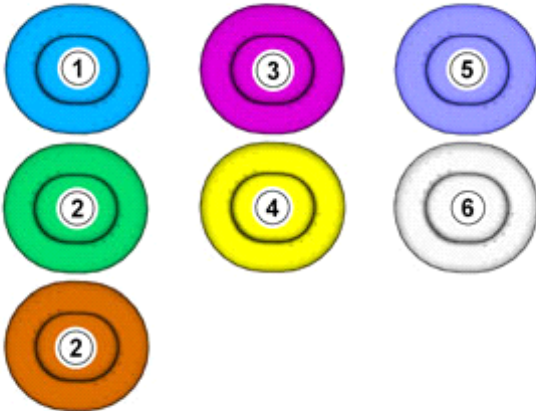
## Further information

2

After installation, the car must not be washed for 48 hours

When installing, the car must retain a temperature of 20 degrees C.

3



IMG-363036

### Note!

This colour chart displays (in colour print and electronic version) the importance of the different colours used in the images of the method steps.

1. Used for focused component, the component with which you will do something.
2. Used as extra colors when you need to show or differentiate additional parts.
3. Used for attachments that are to be removed/installed. May be screws, clips, connectors, etc.
4. Used when the component is not fully removed from the vehicle but only hung to the side.
5. Used for standard tools and special tools.
6. Used as background color for vehicle components.

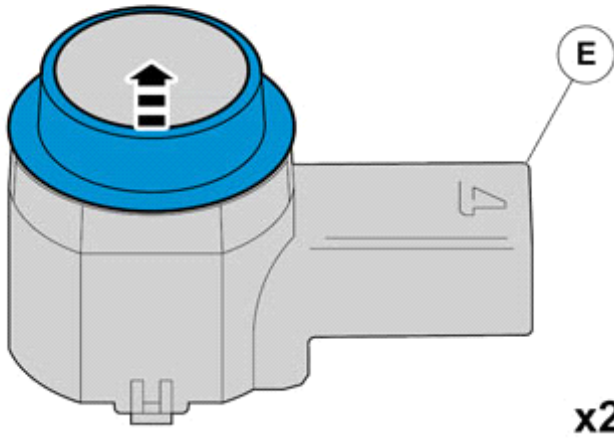
## Paintwork



# Installation instructions, accessories

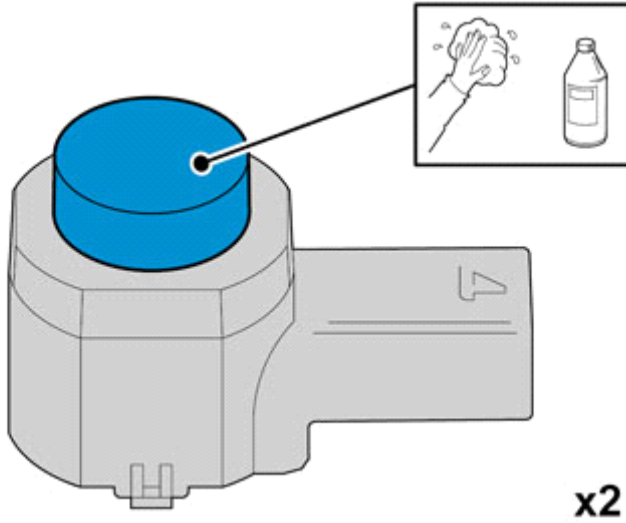
Volvo Car Corporation Gothenburg, Sweden

4



IMG-373951

5

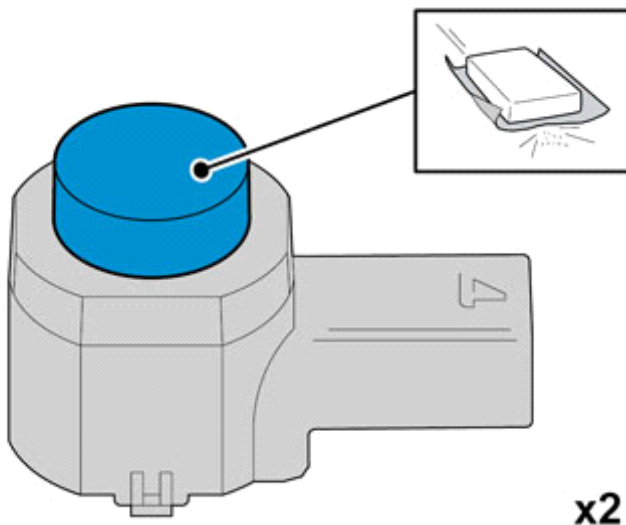


IMG-344142

Clean the surface.

**Use:** 1161721, Isopropanol

6



IMG-344141

Matt the surface gently.

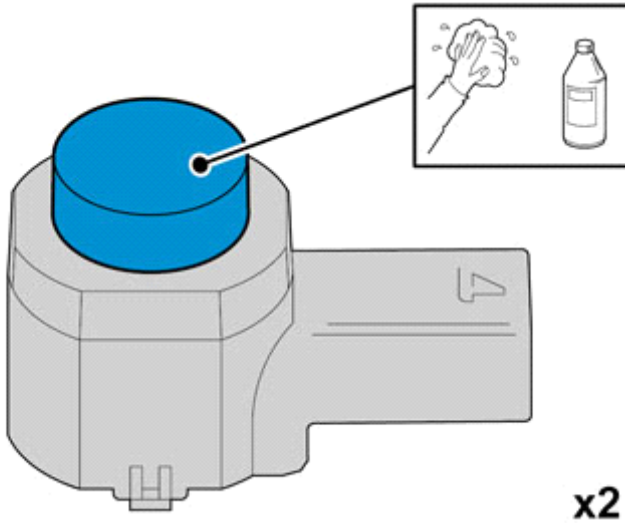
**Use:** , Sand paper P1000



# Installation instructions, accessories

Volvo Car Corporation Gothenburg, Sweden

7



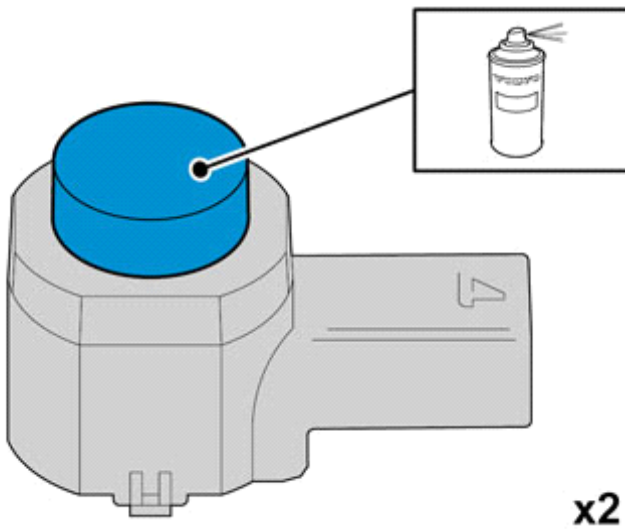
IMG-344142

Clean the surface.

**Use:** 1161721, Isopropanol

Allow to dry.

8



IMG-344251

**Caution!**

Protect connector surfaces against paint spray.

**Note!**

Paint the sensors the same colour code as the vehicle.

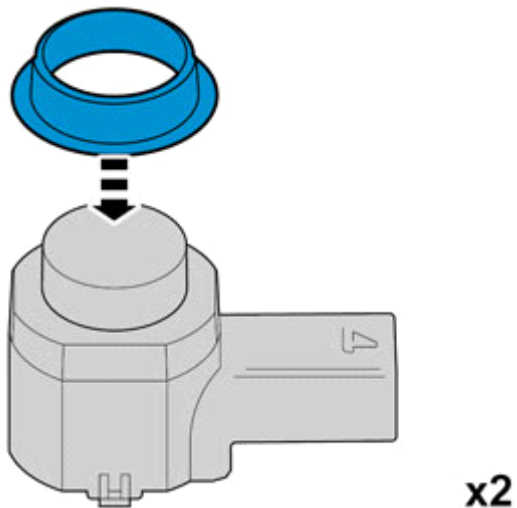
**Use:** , Volvo Original Touch-up paint

Use base coat only.

**Use:** 31335447, Varnish 2-component

Also see the instructions on the container.

9



IMG-333934

**Caution!**

First the paint must dry after painting.



# Installation instructions, accessories

Volvo Car Corporation Gothenburg, Sweden

## Removal

10

Set the ignition key to position 0.



IMG-332193

11



IMG-377640

**Note!**  
Orientation view

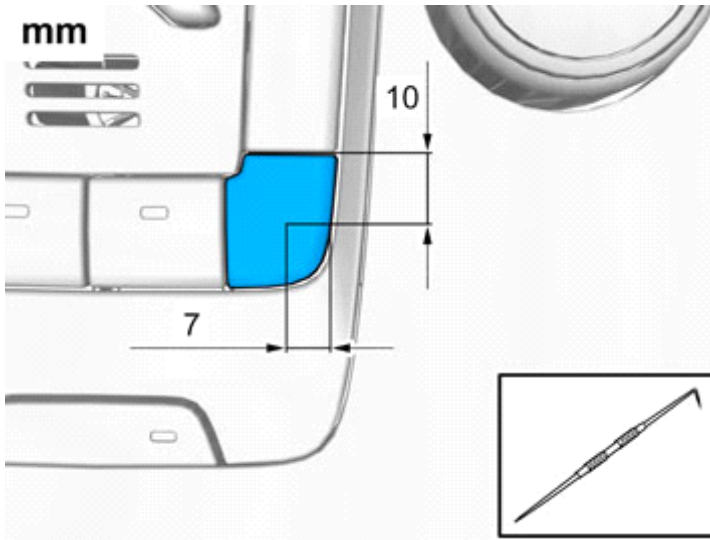




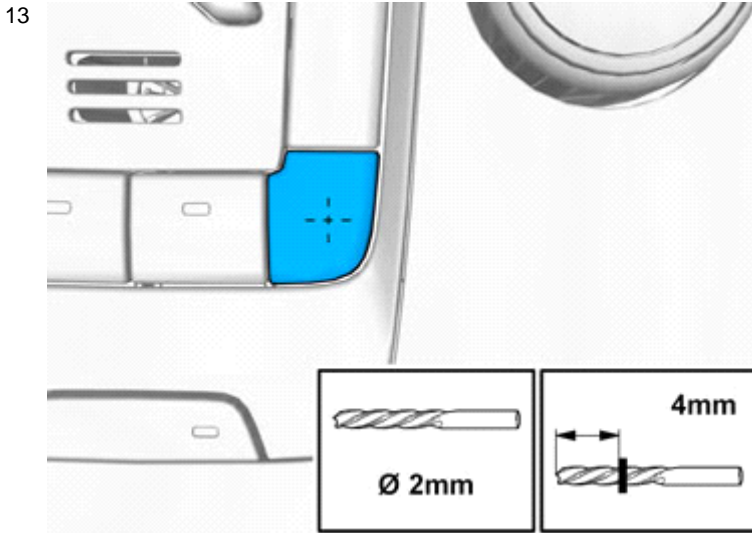
# Installation instructions, accessories

Volvo Car Corporation Gothenburg, Sweden

12 Measure and mark as illustrated.

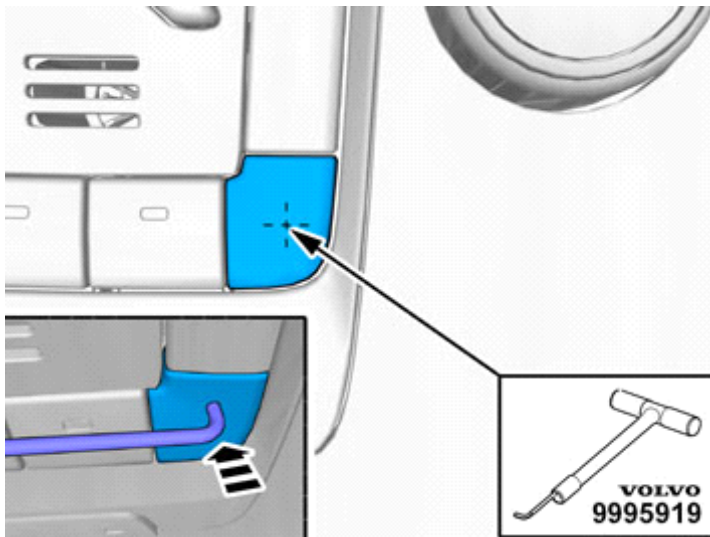


IMG-372212



IMG-372210

14 Use special tool: T9995919, PULLER (SEAL-PINION,CAM-CRANKSHAFT)B200-6304



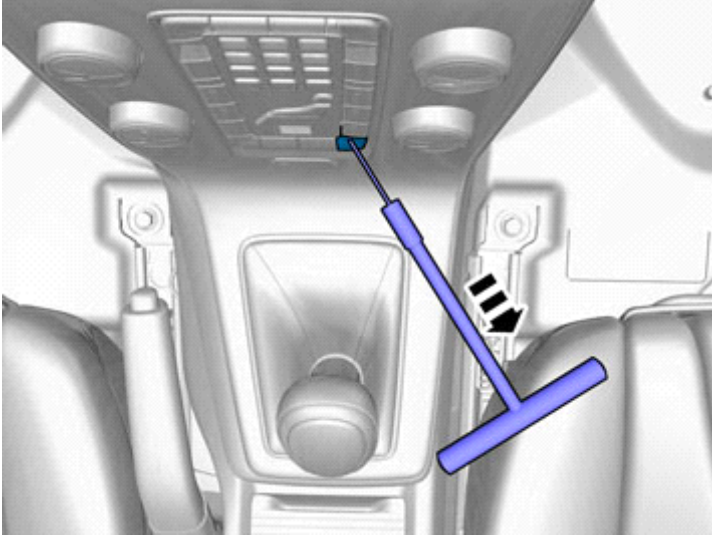
IMG-372209



# Installation instructions, accessories

Volvo Car Corporation Gothenburg, Sweden

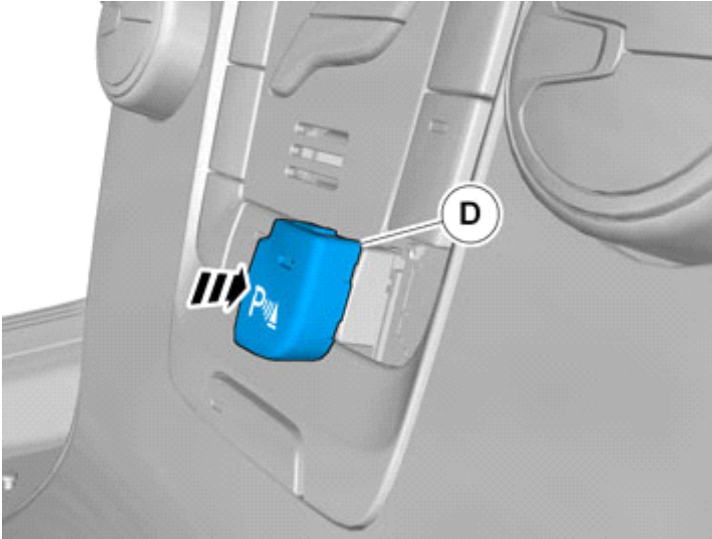
15



IMG-372207

## Accessory installation

16



IMG-372208

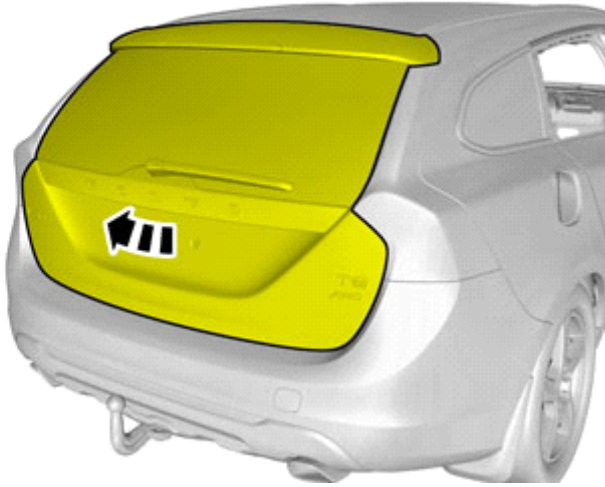
## Removal



# Installation instructions, accessories

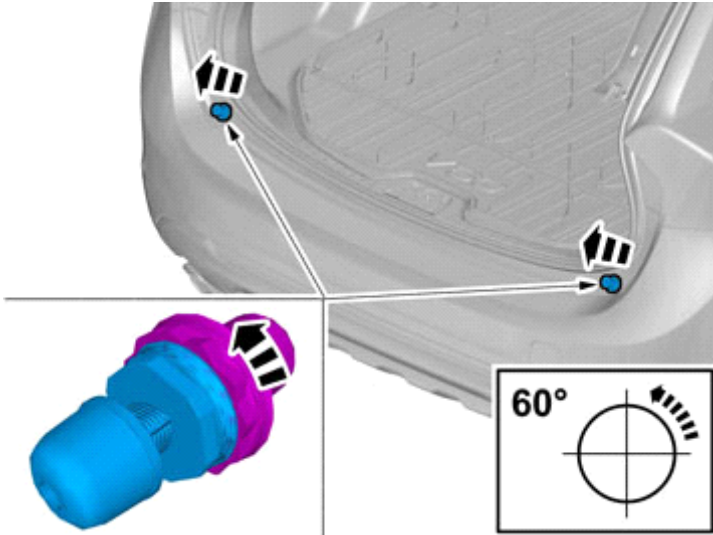
Volvo Car Corporation Gothenburg, Sweden

17



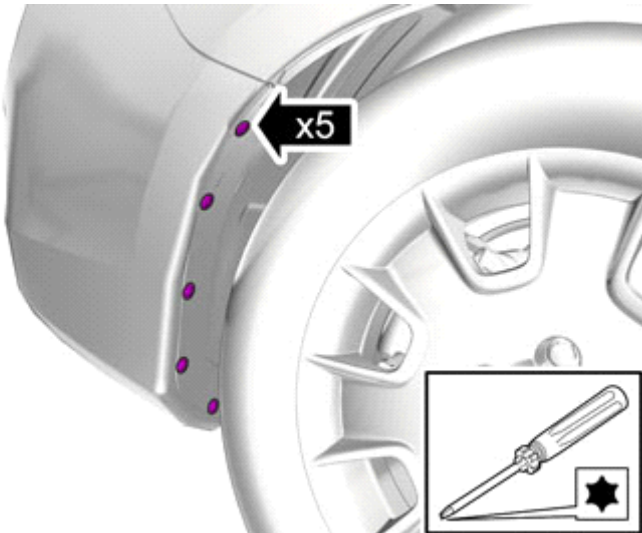
IMG-346181

18



IMG-347593

19



IMG-340640

Remove the screws.

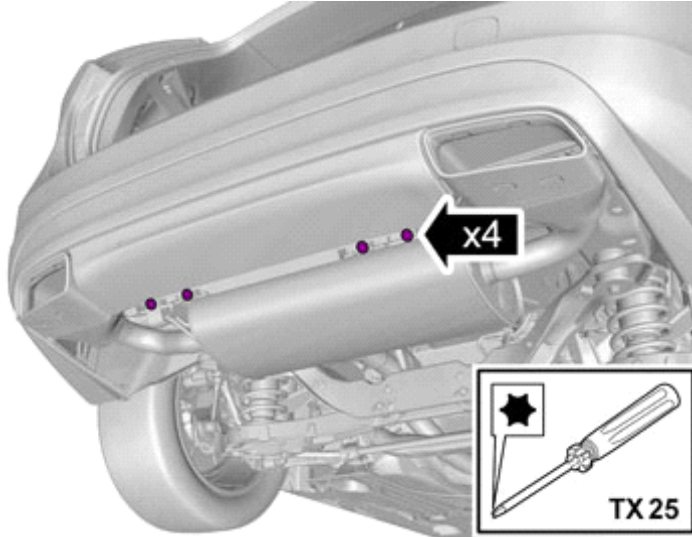
Repeat on the other side.



# Installation instructions, accessories

Volvo Car Corporation Gothenburg, Sweden

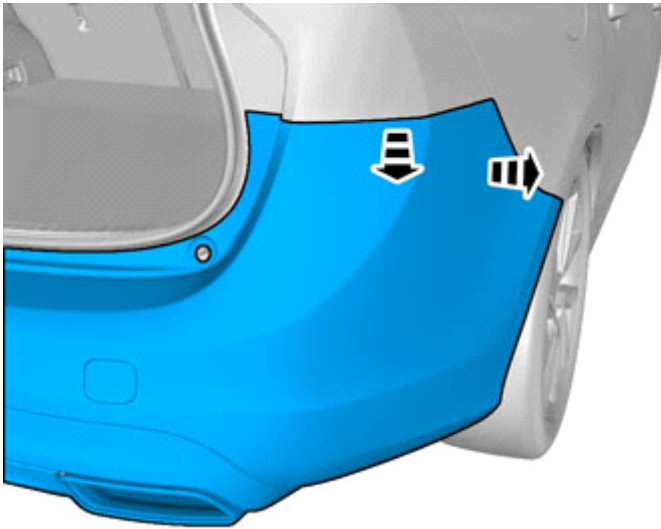
20



Remove the screws.

IMG-377892

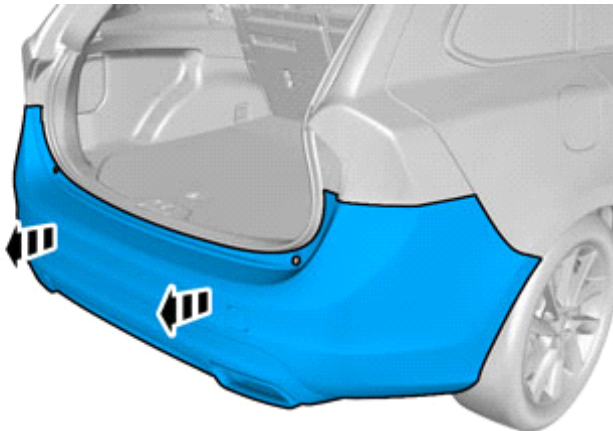
21



Repeat on the other side.

IMG-377896

22



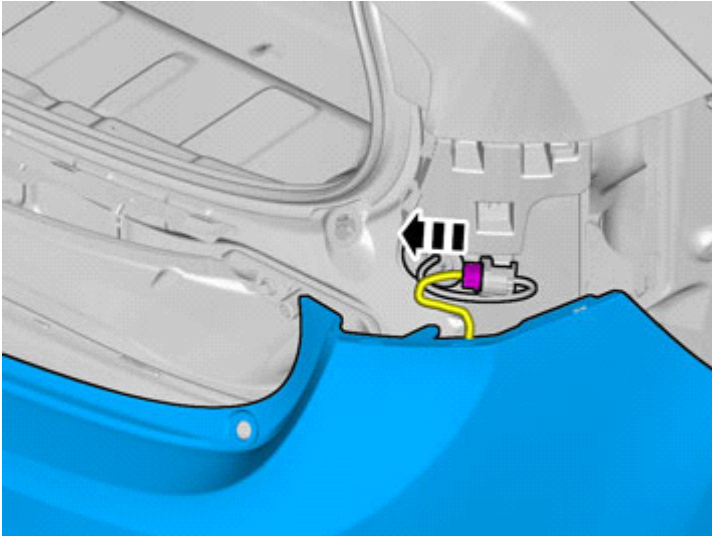
IMG-377891



# Installation instructions, accessories

Volvo Car Corporation Gothenburg, Sweden

23



IMG-346370

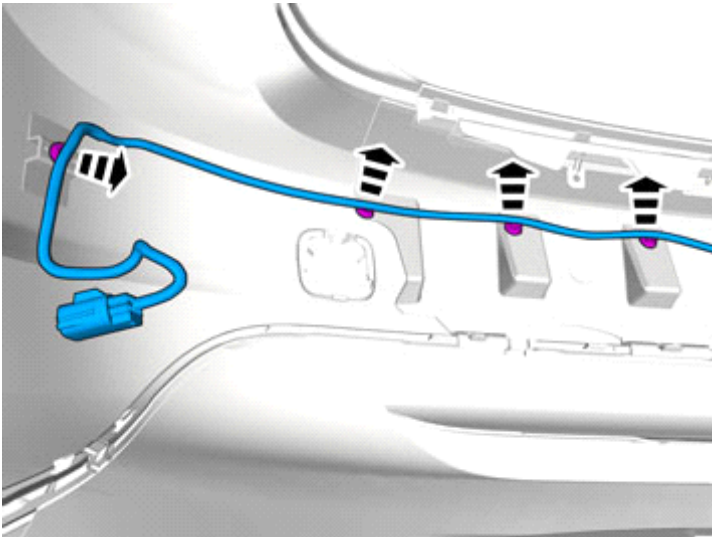
### Caution!

Place the Bumper Cover on a suitable surface.

Disconnect the connector, if applicable.

### Vehicles with keyless entry

24



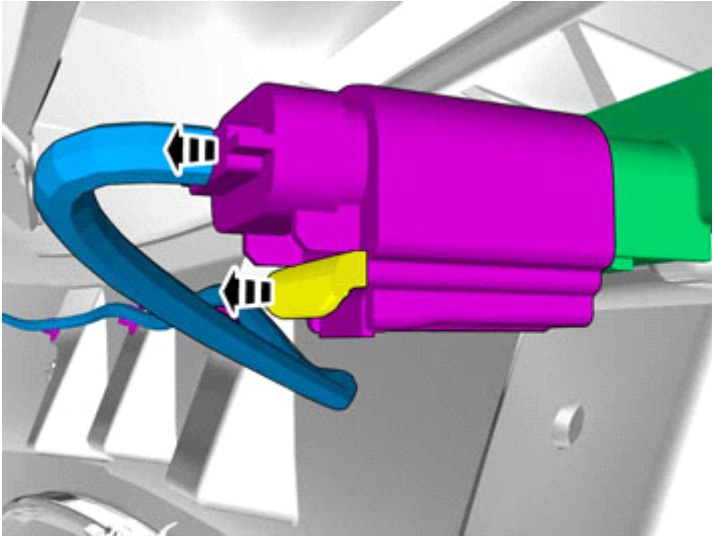
IMG-340645



# Installation instructions, accessories

Volvo Car Corporation Gothenburg, Sweden

25



IMG-340646

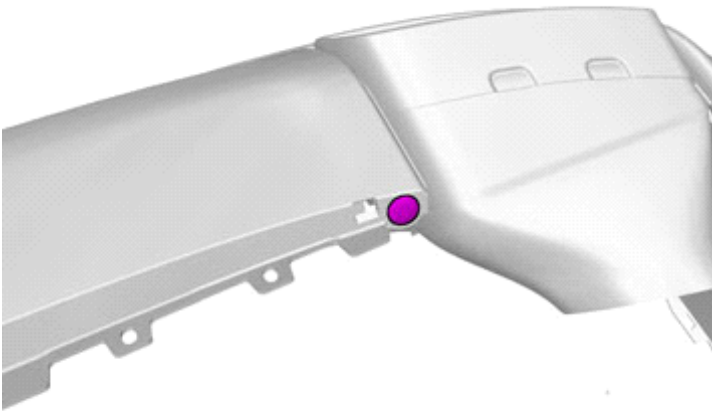
Disconnect the connector.

The cable harness must not be reused.

---

## Vehicles with integrated Exhaust End Pipes

26



IMG-377518

Remove the clip.

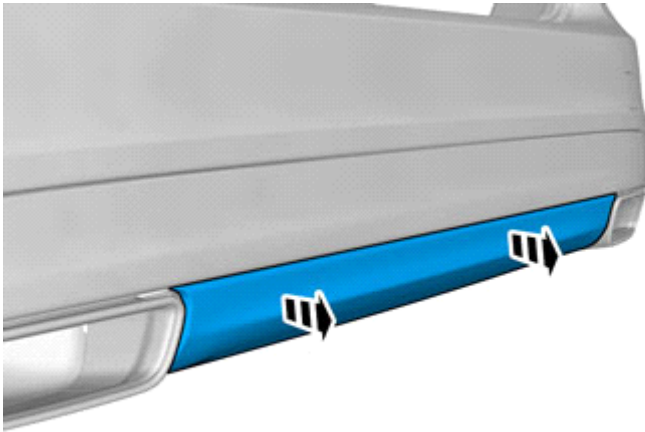
Repeat on the other side.



# Installation instructions, accessories

Volvo Car Corporation Gothenburg, Sweden

27



The part is not to be reused.

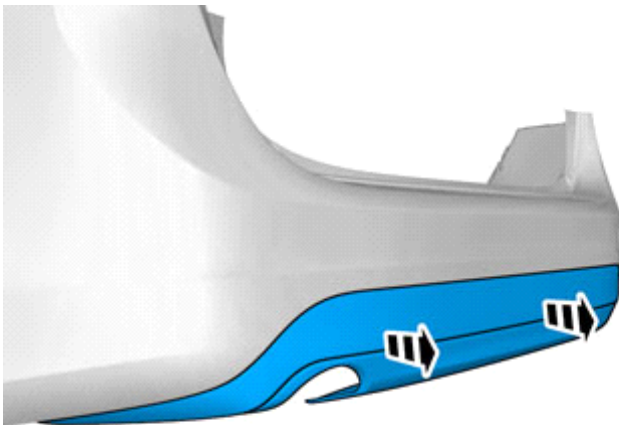
IMG-377520

---

**Applies to all other vehicles**

---

28



The part is not to be reused.

IMG-377812

---

**Accessory installation**

---

**Vehicles with integrated Exhaust End Pipes**

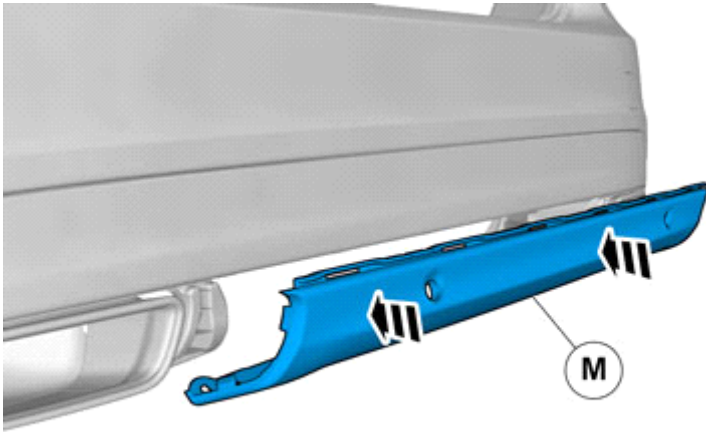
---



# Installation instructions, accessories

Volvo Car Corporation Gothenburg, Sweden

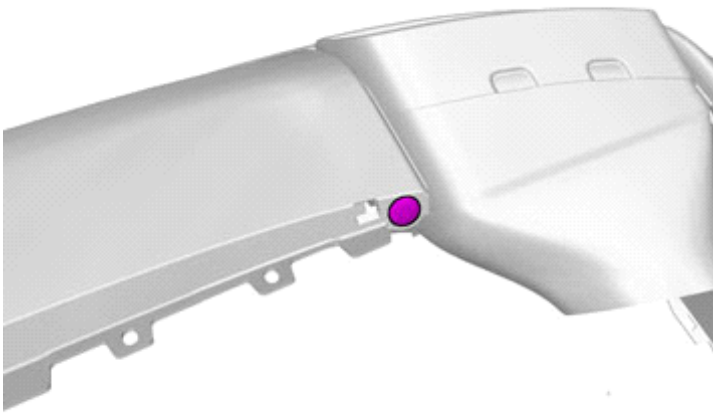
29



Install component that comes with the accessory kit.

IMG-377523

30



Install the clip(s).

Repeat on the other side.

IMG-377518

**Applies to all other vehicles**

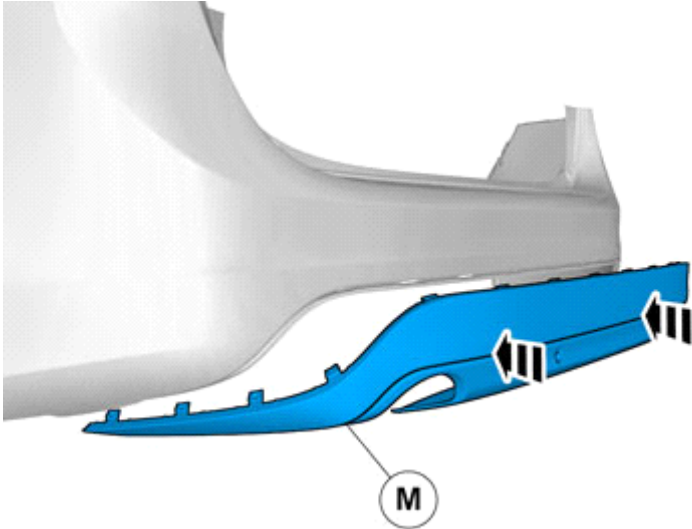




# Installation instructions, accessories

Volvo Car Corporation Gothenburg, Sweden

31

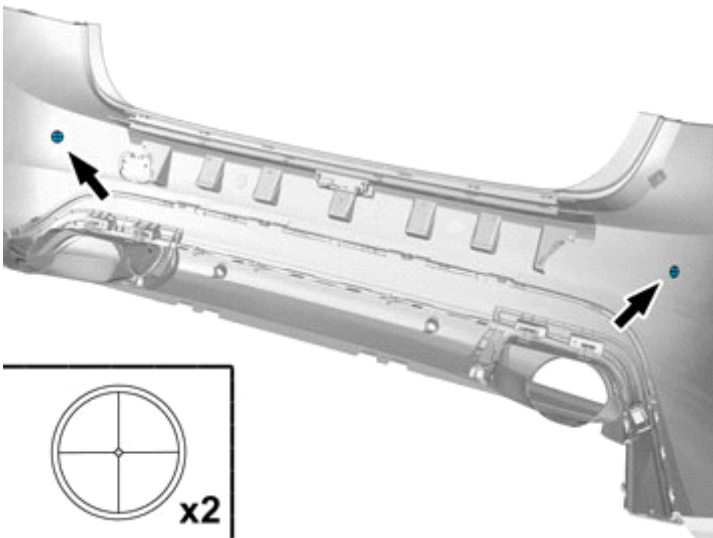


IMG-377814

Install component that comes with the accessory kit.

All vehicles

32



IMG-377497

Locate the markings for the positions.

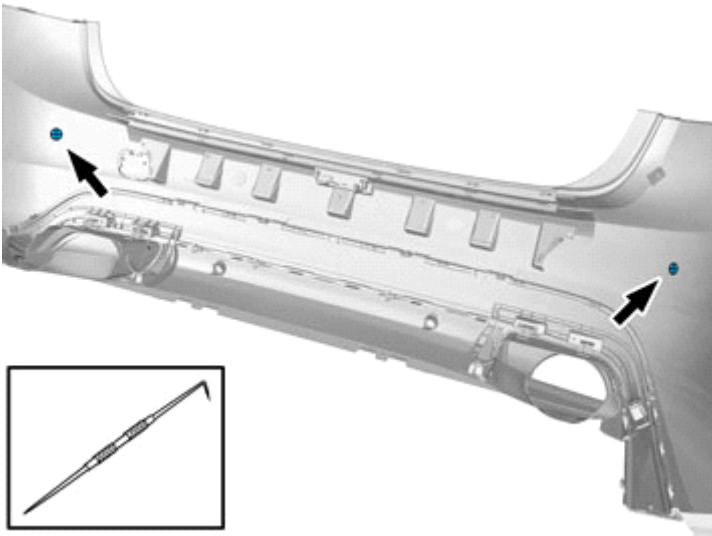


# Installation instructions, accessories

Volvo Car Corporation Gothenburg, Sweden

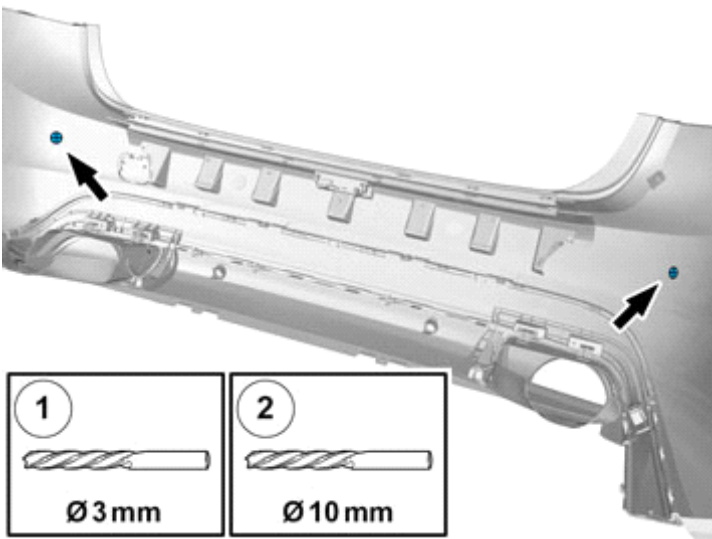
33

Mark the centre.



IMG-377498

34

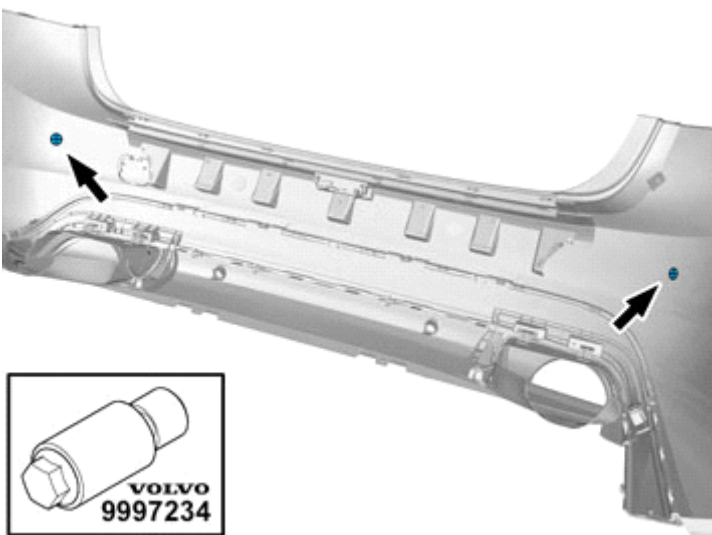


IMG-377499

35

**Caution!**  
Sharp end of tool must be on outside of cover.

**Use special tool:** T9997234, Hole stamp



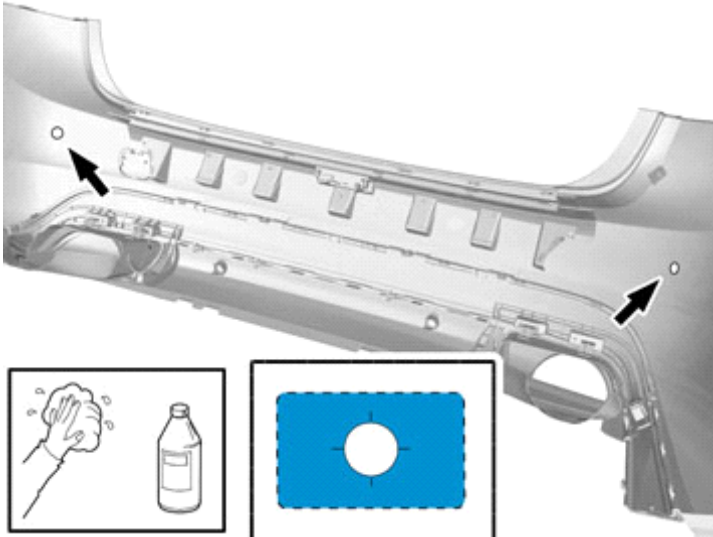
IMG-377500



# Installation instructions, accessories

Volvo Car Corporation Gothenburg, Sweden

36



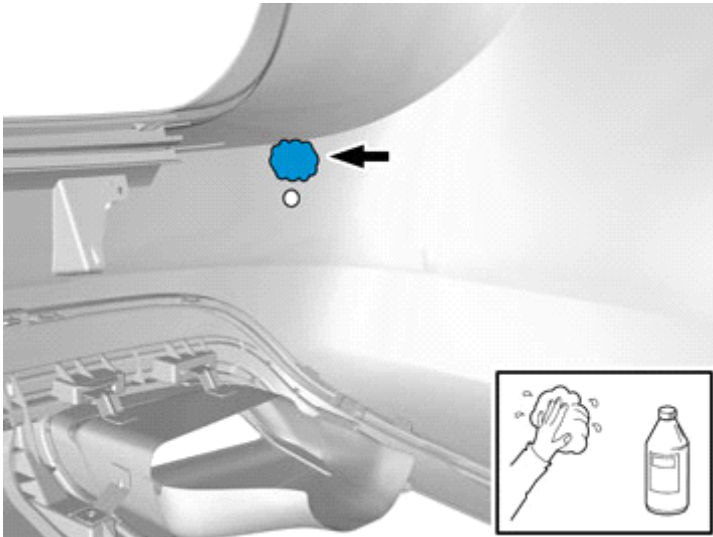
IMG-377506

Clean the surfaces.

**Use:** 1161721, Isopropanol

Allow to dry.

37



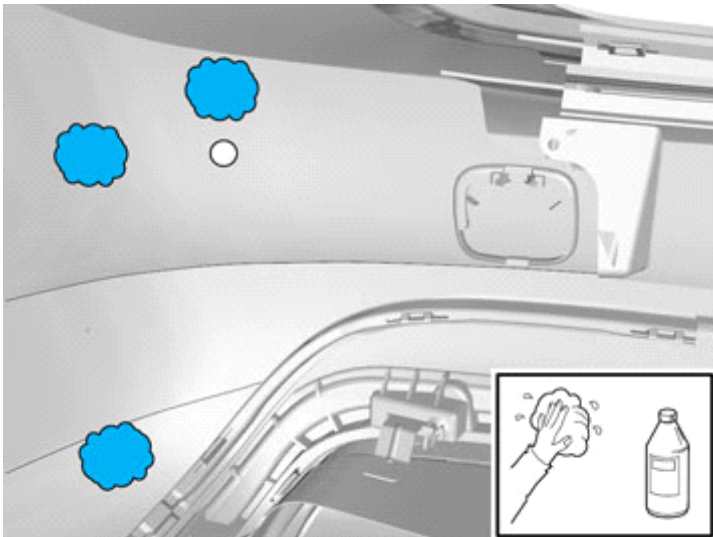
IMG-377524

Clean the surface.

**Use:** 1161721, Isopropanol

Allow to dry.

38



IMG-377527

Clean the surfaces.

**Use:** 1161721, Isopropanol

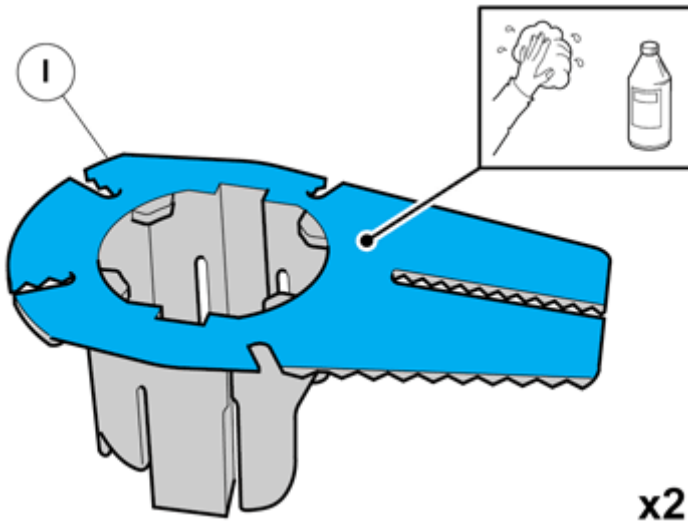
Allow to dry.



# Installation instructions, accessories

Volvo Car Corporation Gothenburg, Sweden

39



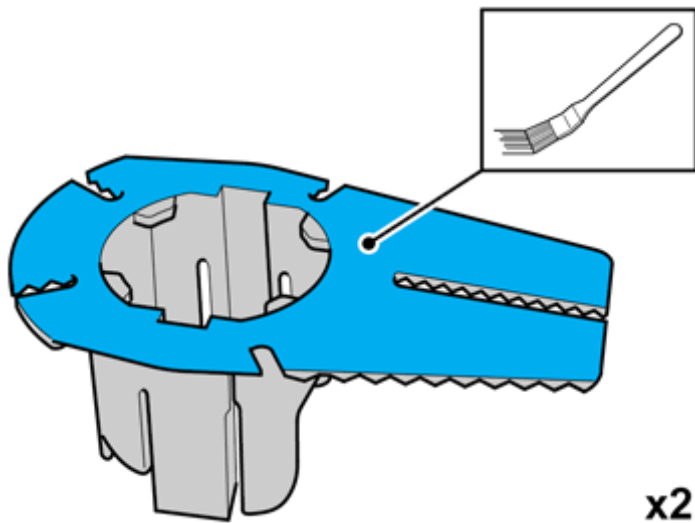
IMG-377508

Clean the surfaces.

**Use:** 1161721, Isopropanol

Allow to dry.

40



IMG-377509

Apply a thin and even layer.

**Use:** 8637076, Activator

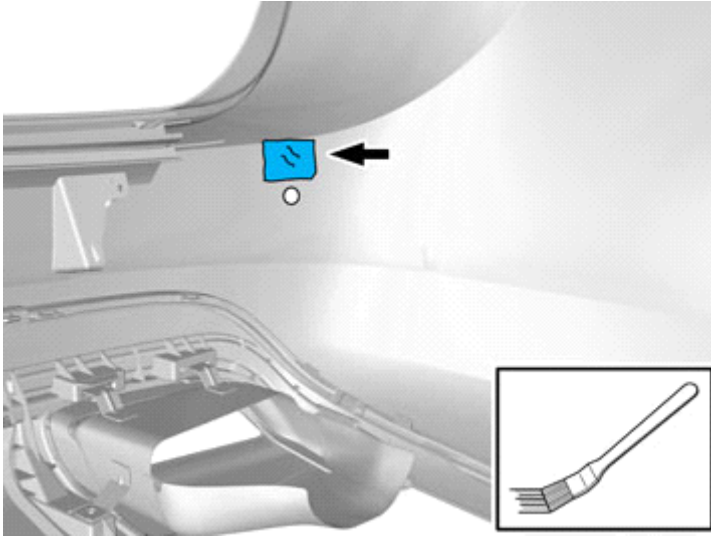
Allow to dry for at least 10 minutes.



# Installation instructions, accessories

Volvo Car Corporation Gothenburg, Sweden

41



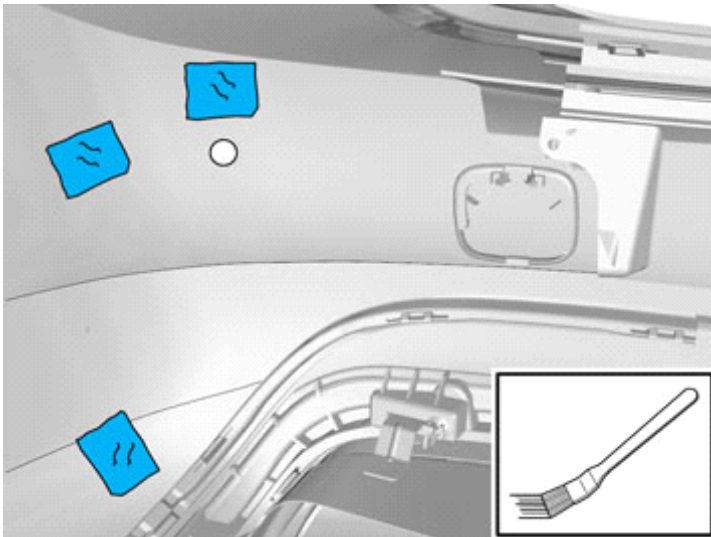
IMG-377525

Apply a thin and even layer.

**Use:** 8637076, Activator

Allow to dry for at least 10 minutes.

42



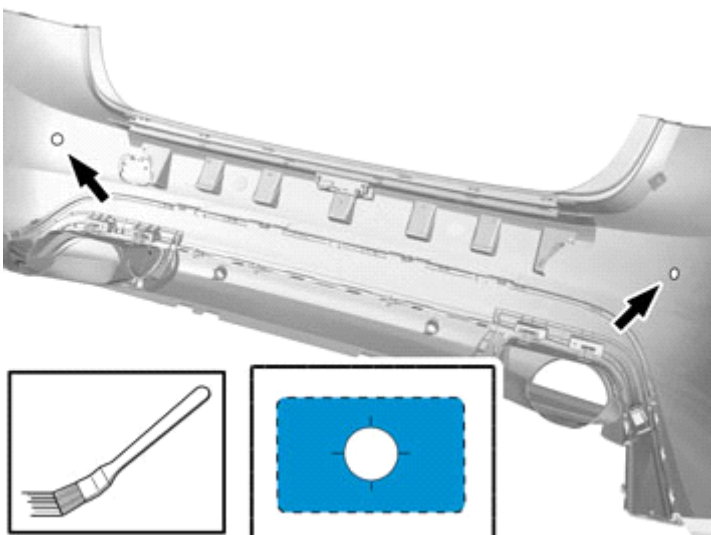
IMG-377528

Apply a thin and even layer.

**Use:** 8637076, Activator

Allow to dry for at least 10 minutes.

43



IMG-377510

Apply a thin and even layer.

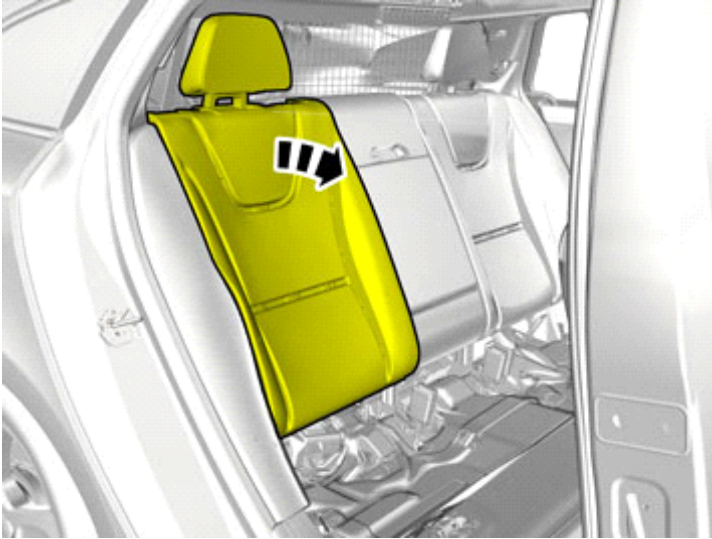
**Use:** 8637076, Activator

Allow to dry for at least 10 minutes.



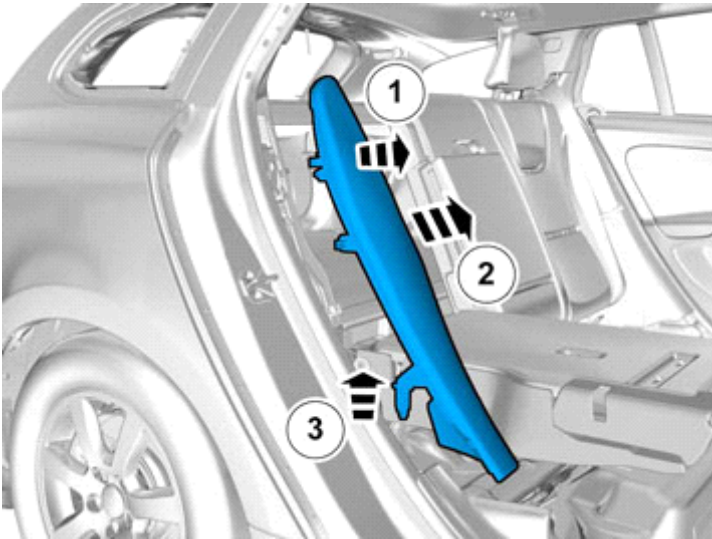
## Removal

44



IMG-344986

45



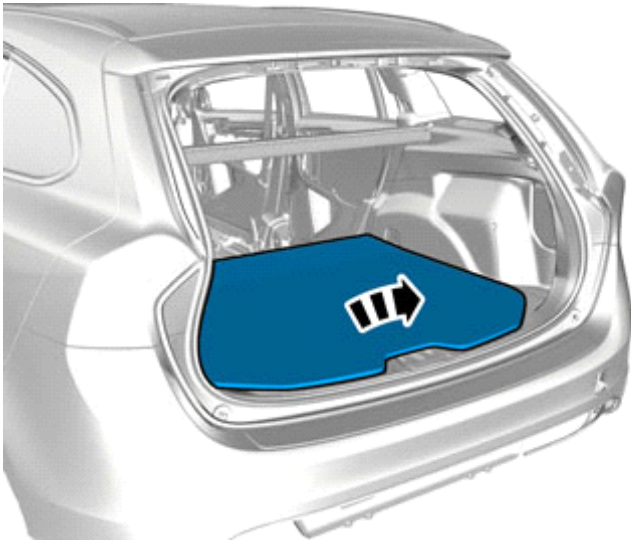
IMG-347917



# Installation instructions, accessories

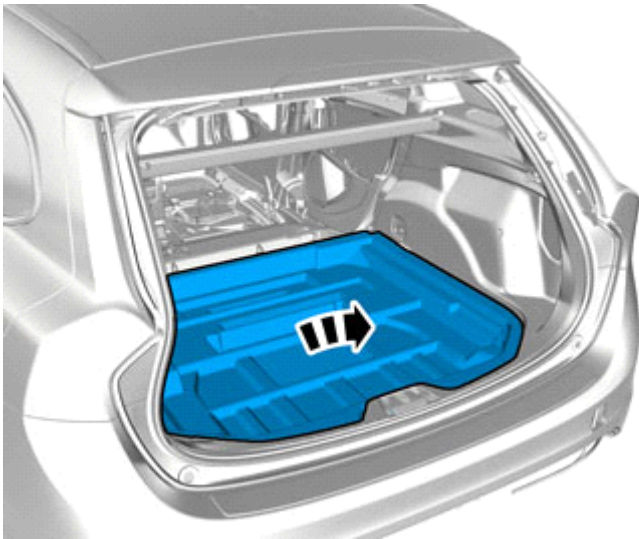
Volvo Car Corporation Gothenburg, Sweden

46



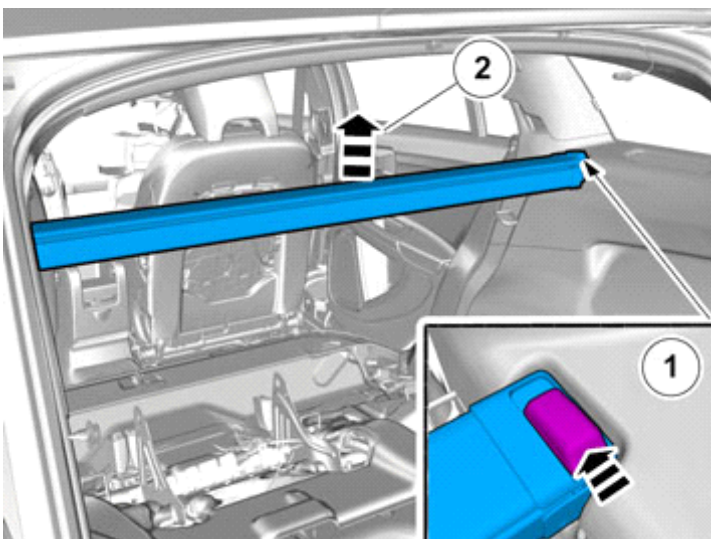
IMG-343412

47



IMG-343413

48



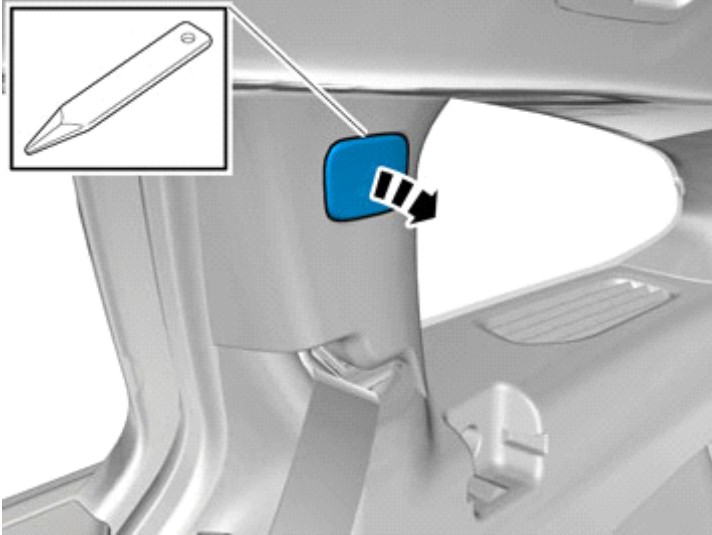
IMG-343415



# Installation instructions, accessories

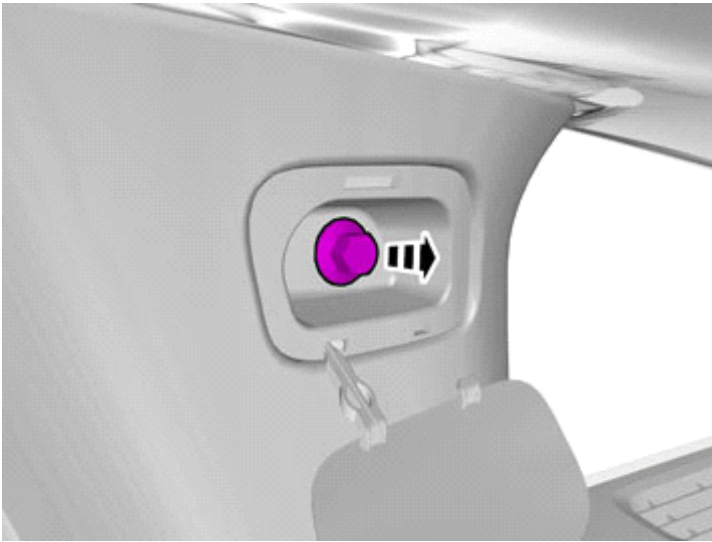
Volvo Car Corporation Gothenburg, Sweden

49



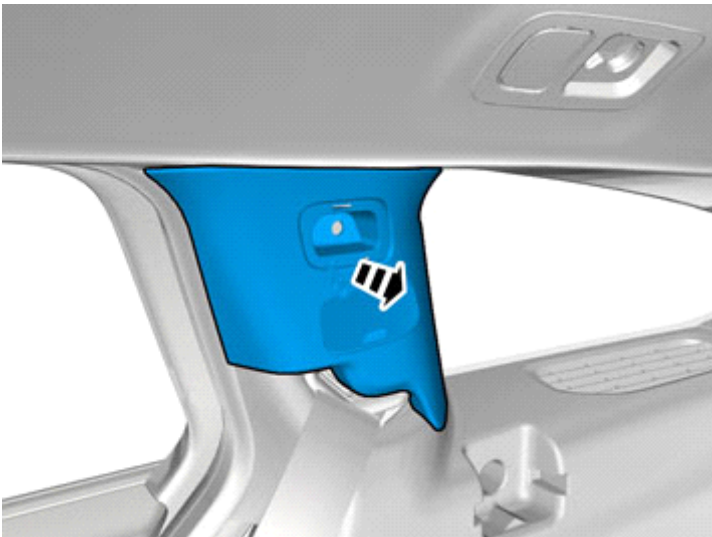
IMG-343416

50



IMG-343418

51



IMG-343417

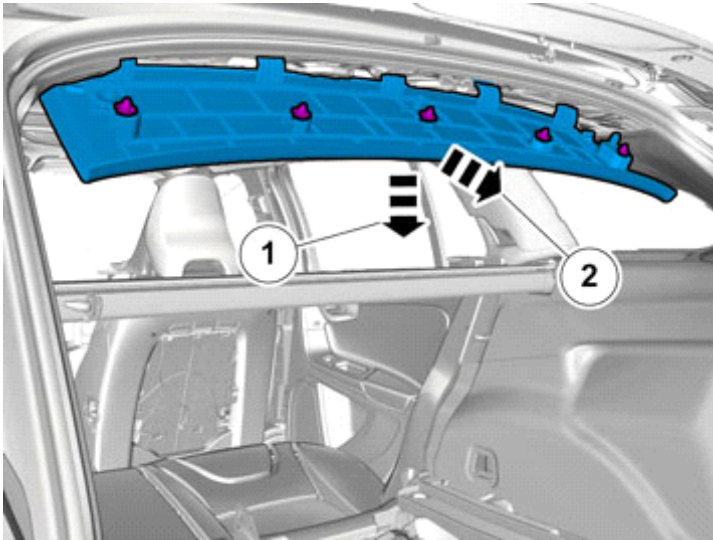




# Installation instructions, accessories

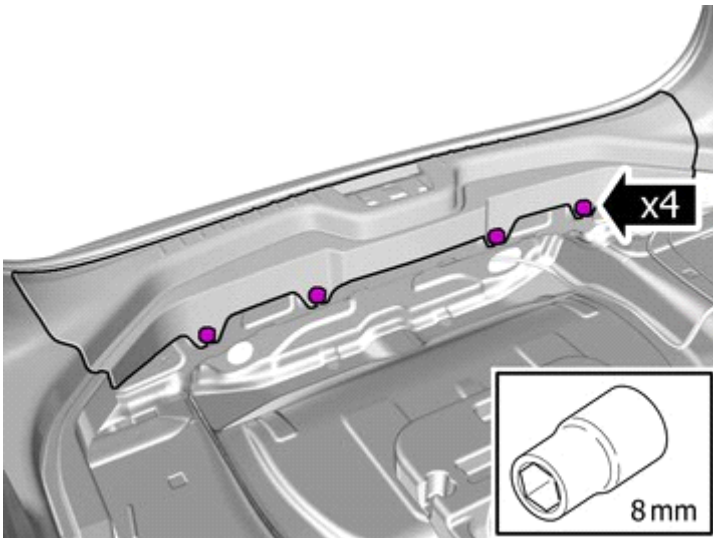
Volvo Car Corporation Gothenburg, Sweden

52



IMG-343420

53



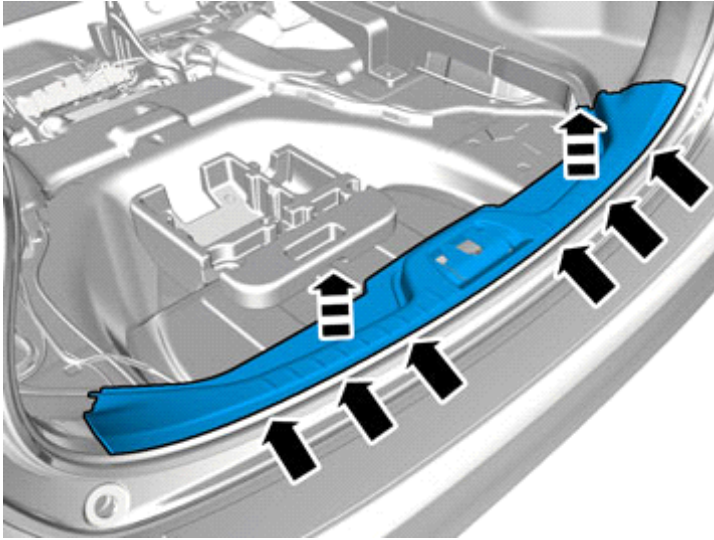
IMG-343422



# Installation instructions, accessories

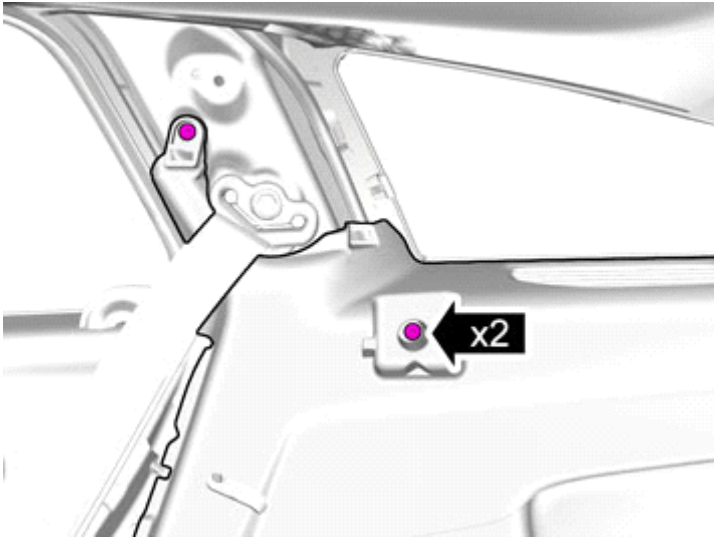
Volvo Car Corporation Gothenburg, Sweden

54



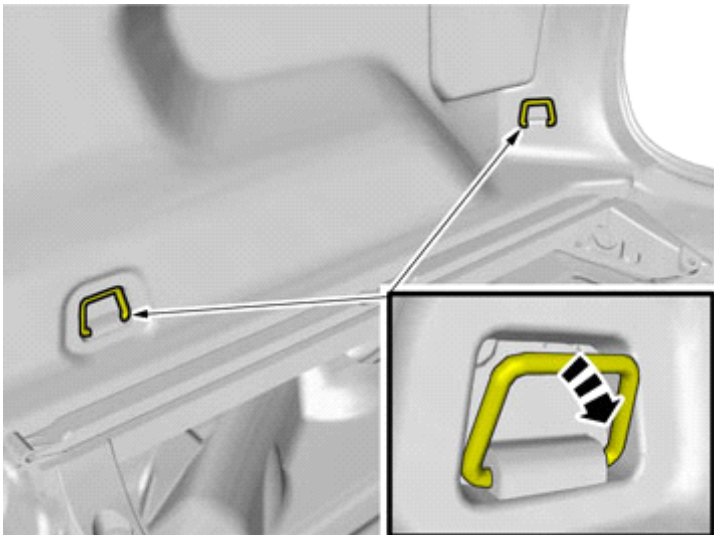
IMG-343423

55



IMG-343424

56



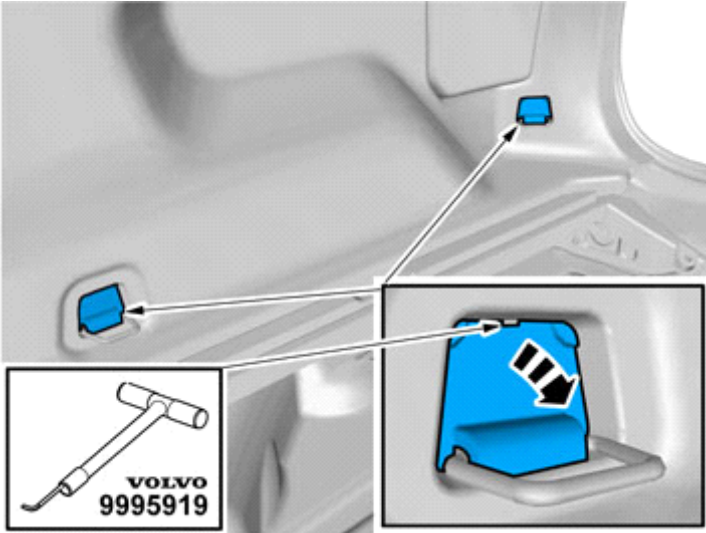
IMG-307608



# Installation instructions, accessories

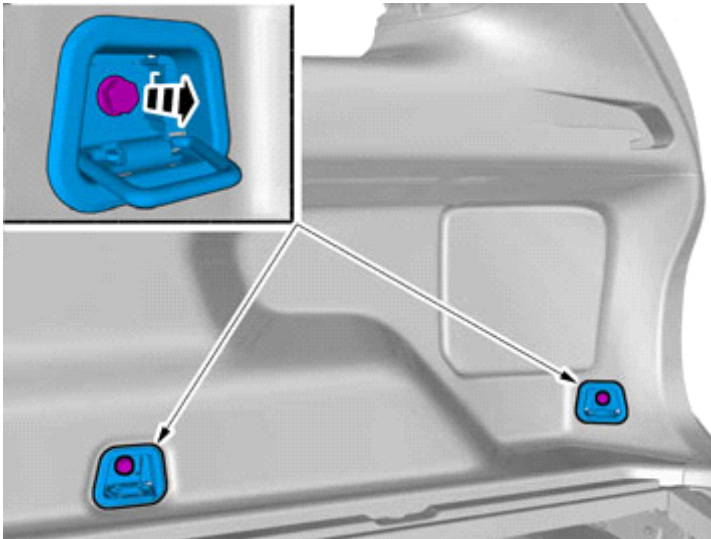
Volvo Car Corporation Gothenburg, Sweden

57



IMG-307609

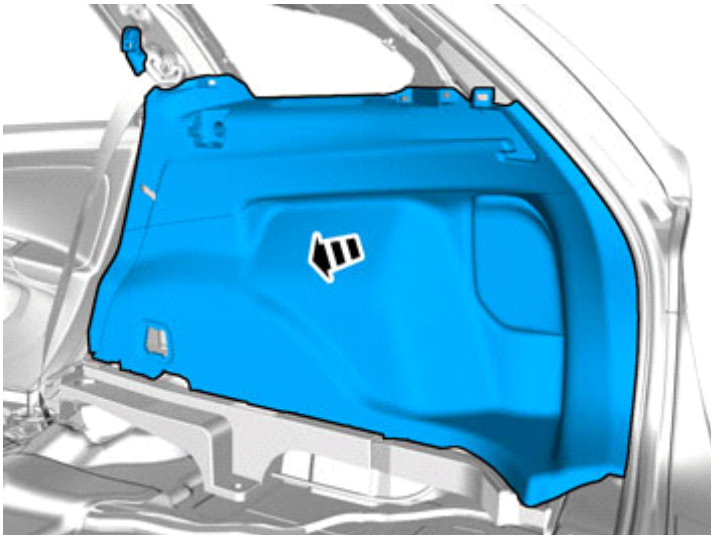
58



IMG-347610

Tightening torque: ,

59



IMG-343425

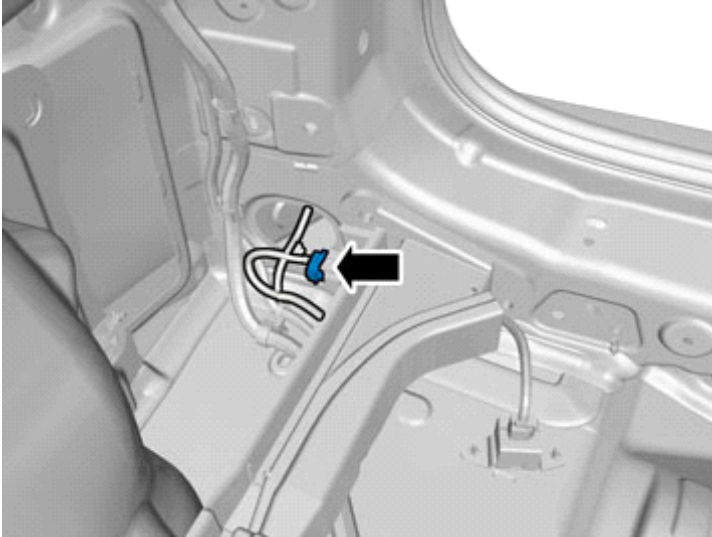


# Installation instructions, accessories

Volvo Car Corporation Gothenburg, Sweden

## Vehicles with keyless entry

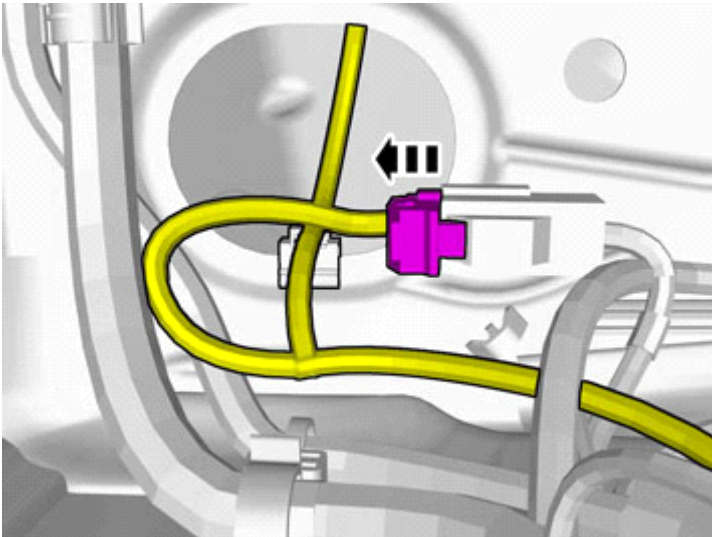
60



IMG-346381

Locate the connector.

61



IMG-346386

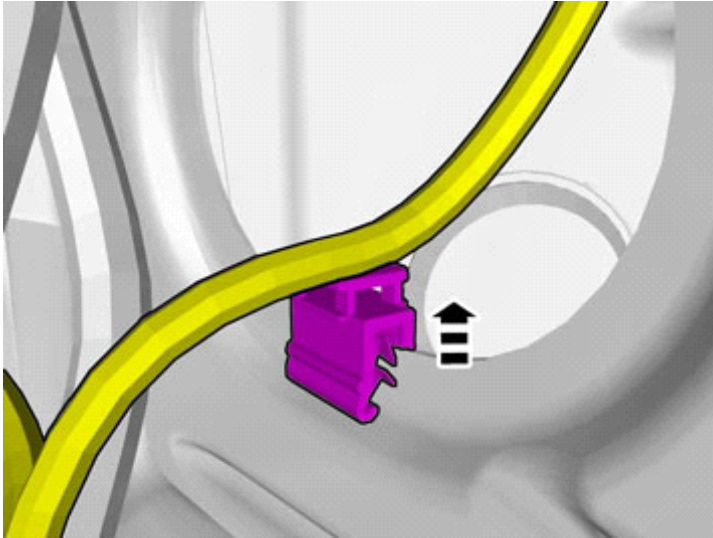
Disconnect the connector.



# Installation instructions, accessories

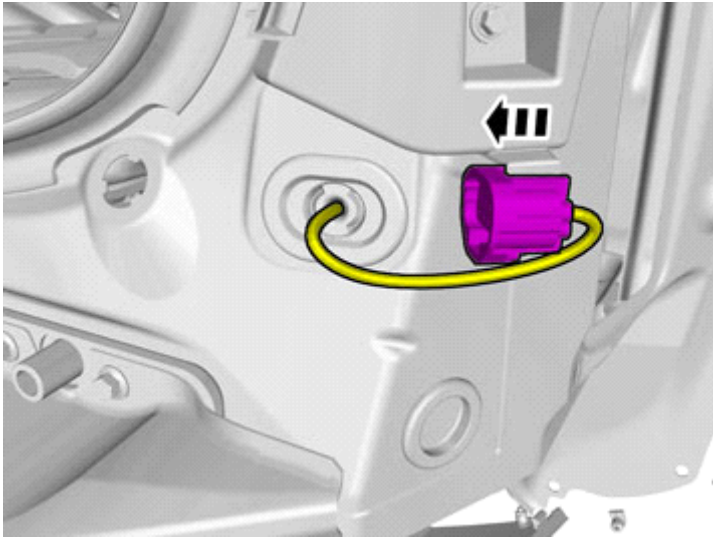
Volvo Car Corporation Gothenburg, Sweden

62



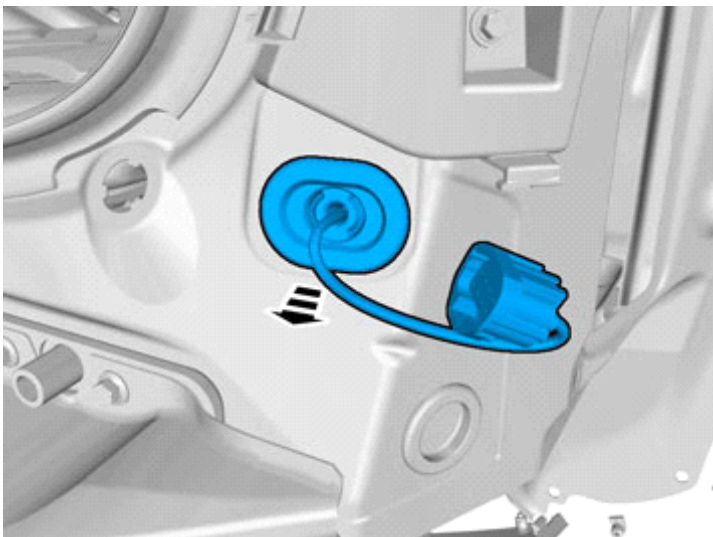
IMG-346387

63



IMG-346391

64



IMG-346396

The cable harness must not be reused.

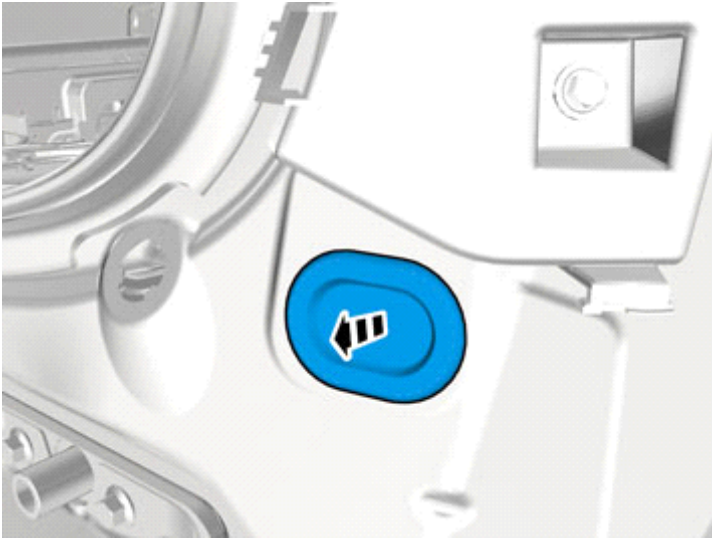


# Installation instructions, accessories

Volvo Car Corporation Gothenburg, Sweden

## Vehicles without keyless entry

65



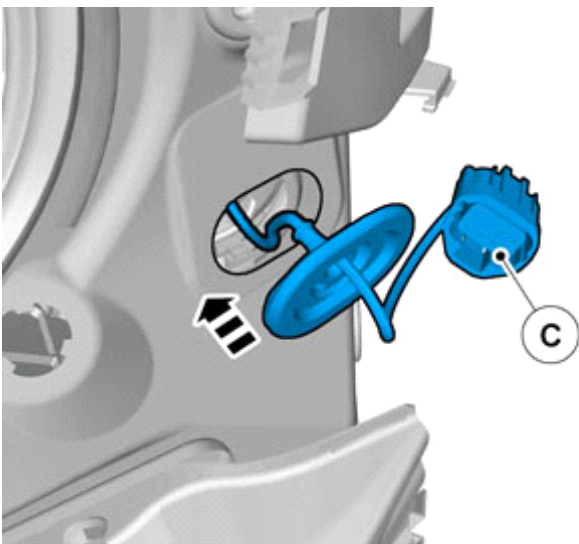
IMG-348661

The part is not to be reused.

## Accessory installation

### All vehicles

66



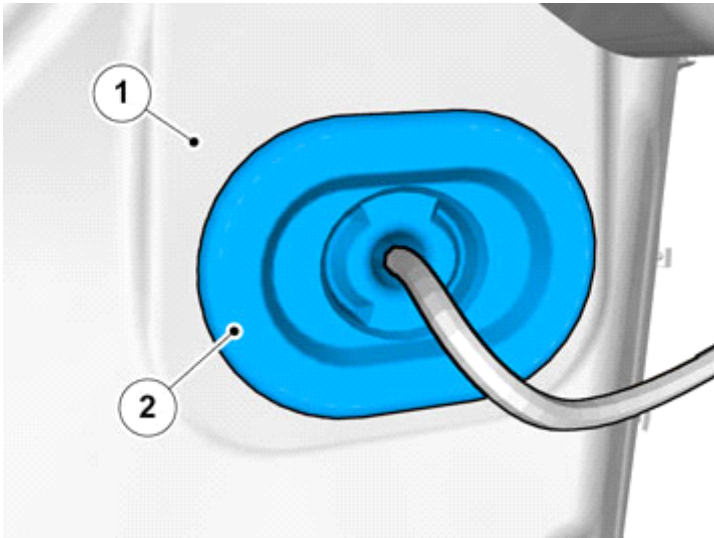
IMG-346411



# Installation instructions, accessories

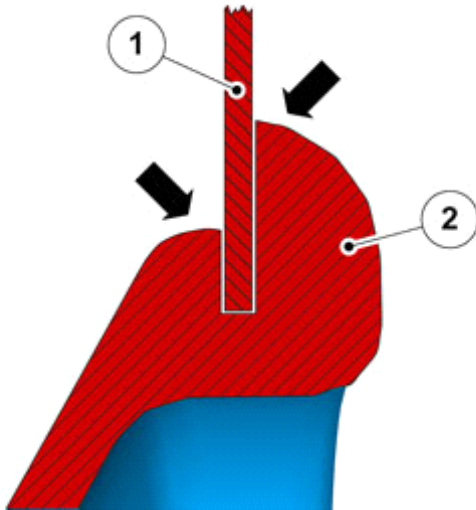
Volvo Car Corporation Gothenburg, Sweden

67



IMG-346416

68

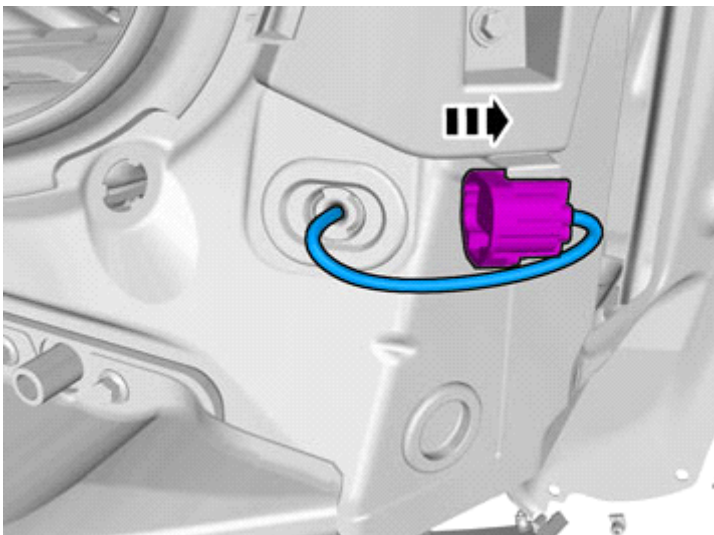


IMG-340668

**Caution!**

Make sure that the rubber grommet seals properly to the body.

69



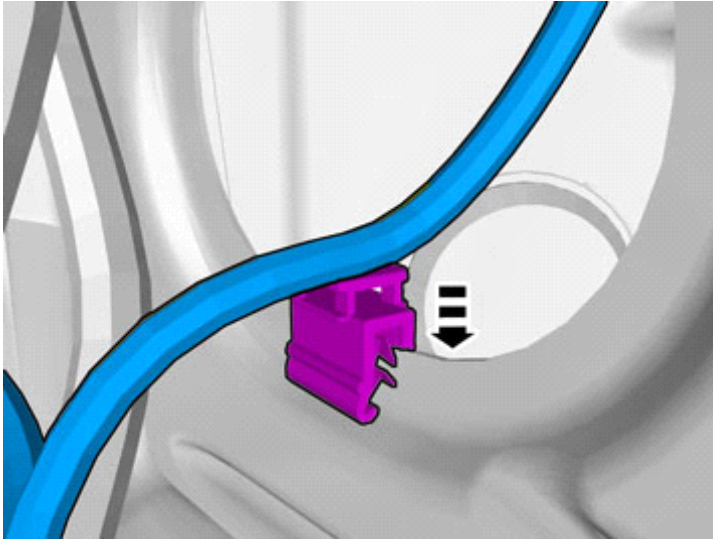
IMG-346421



# Installation instructions, accessories

Volvo Car Corporation Gothenburg, Sweden

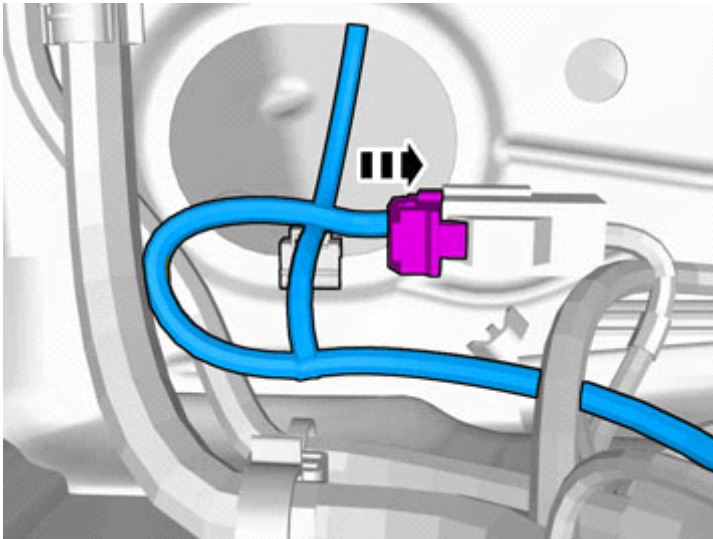
70



IMG-346431

**Vehicles with keyless entry**

71



IMG-346472

**All vehicles**

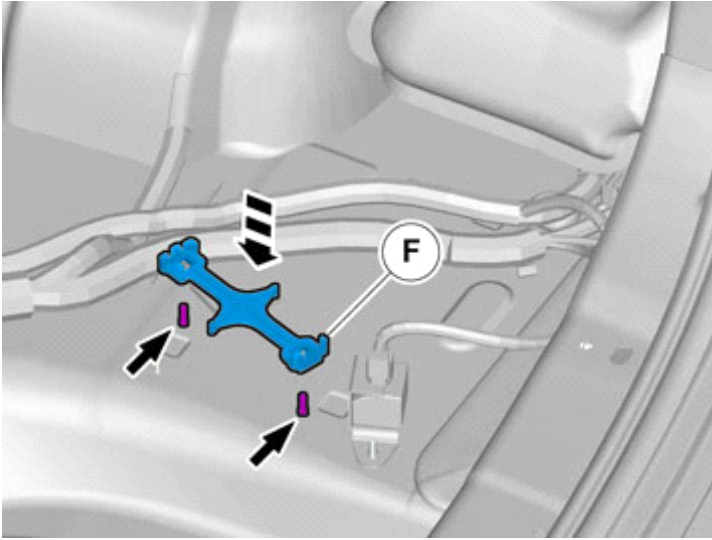




# Installation instructions, accessories

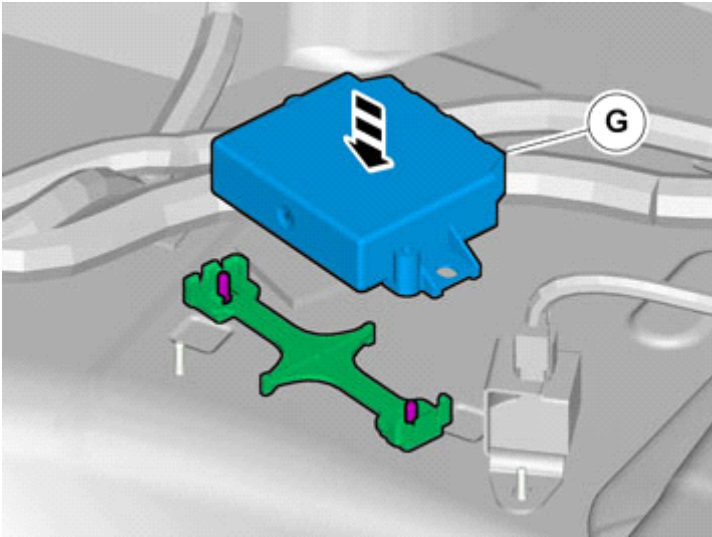
Volvo Car Corporation Gothenburg, Sweden

72



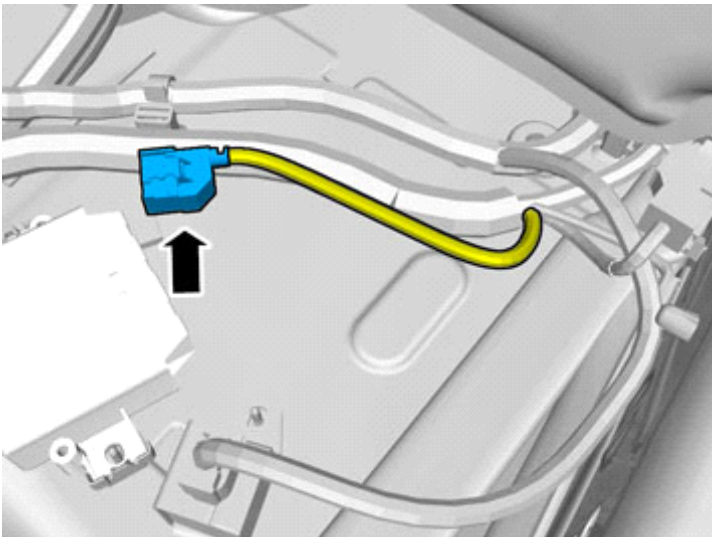
IMG-377799

73



IMG-377800

74



IMG-346516

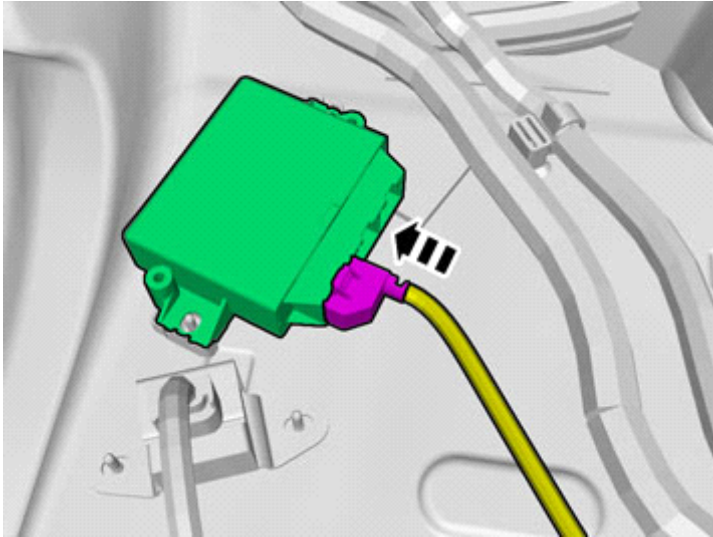
Locate the existing connector in the vehicle's cable harness.



# Installation instructions, accessories

Volvo Car Corporation Gothenburg, Sweden

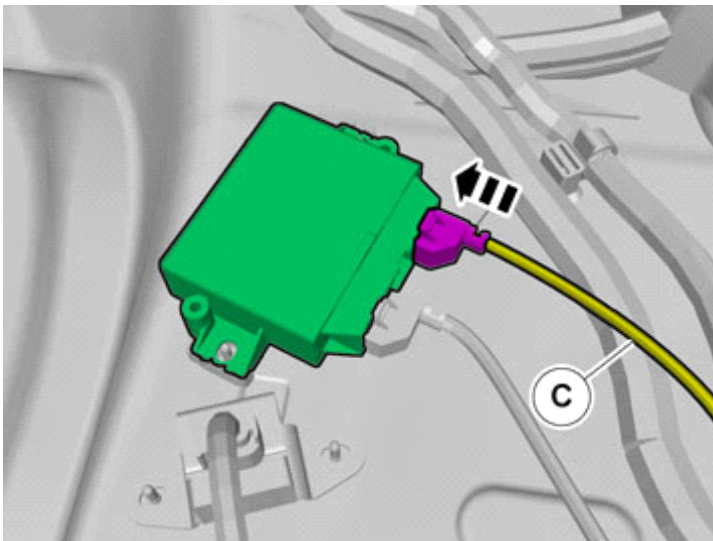
75



IMG-346521

Connect the connector.

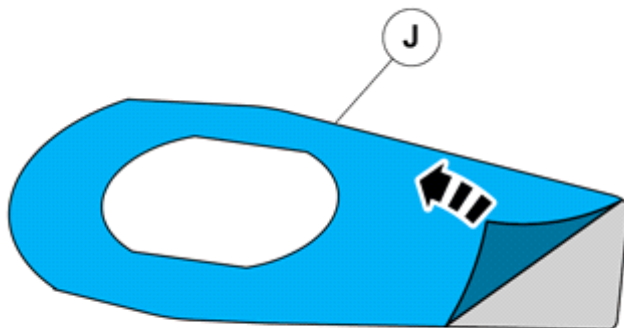
76



IMG-346523

Connect the prerouted cable.

77



Remove the protective film.

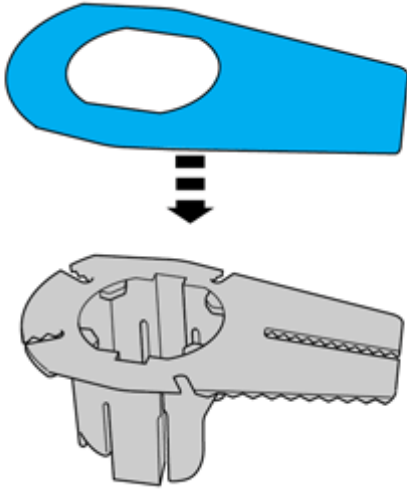
IMG-377539



# Installation instructions, accessories

Volvo Car Corporation Gothenburg, Sweden

78

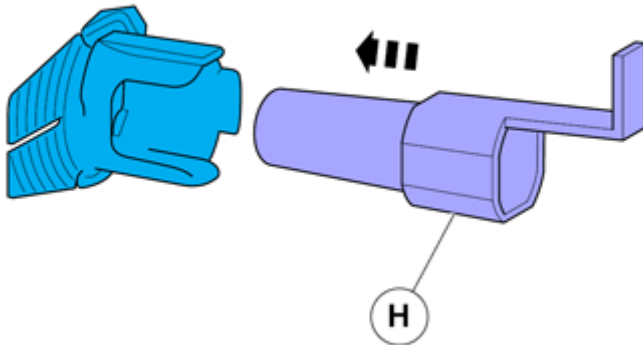


**Note!**

Ensure that the tape is fixed to the surface.

IMG-377512

79



**Note!**

Prepare and install one holder at a time.

IMG-377513

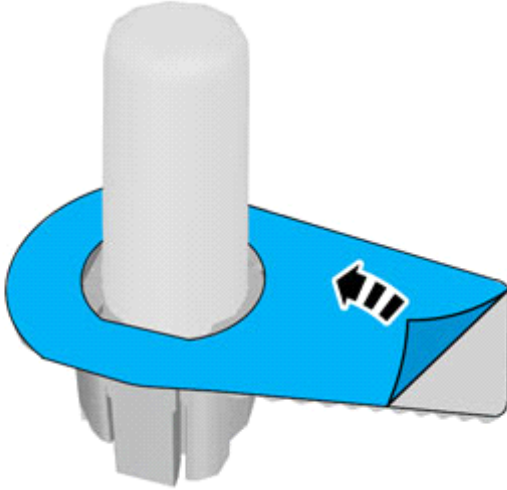


# Installation instructions, accessories

Volvo Car Corporation Gothenburg, Sweden

80

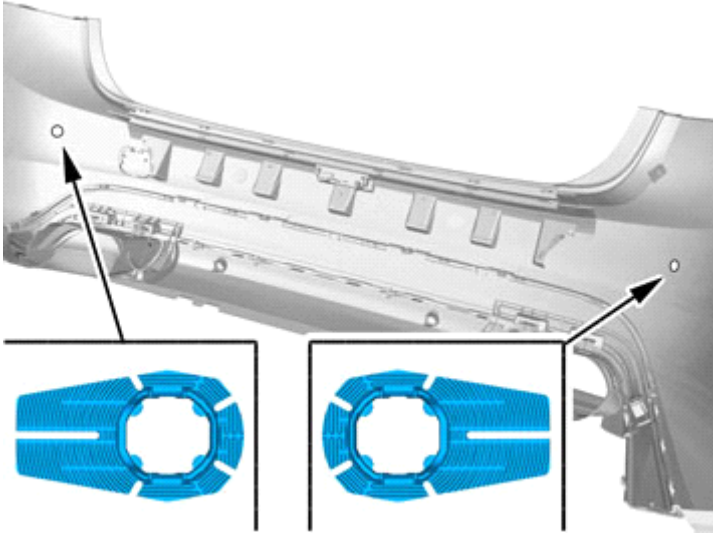
Remove the protective film.



IMG-340690

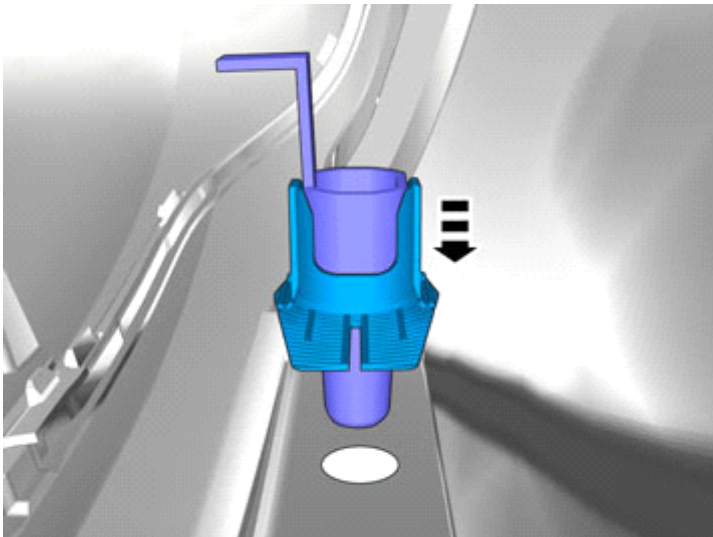
81

Note position of components.



IMG-377514

82



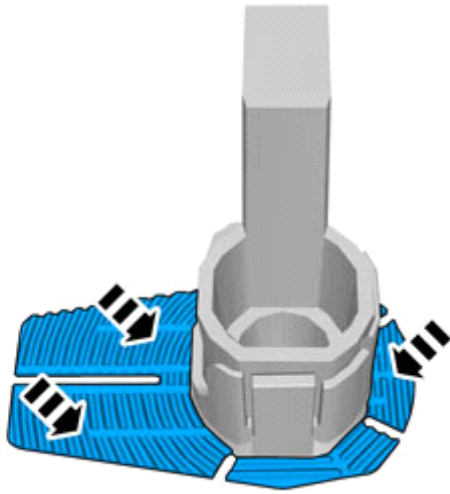
IMG-340692



# Installation instructions, accessories

Volvo Car Corporation Gothenburg, Sweden

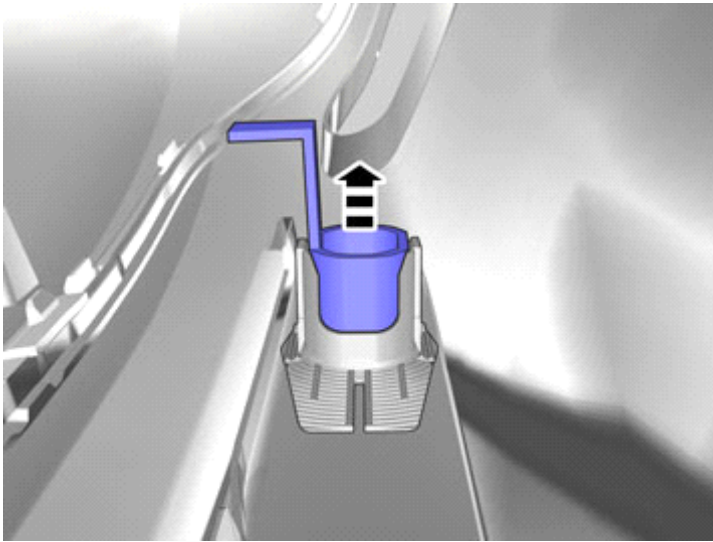
83



**Note!**  
Ensure that the tape is fixed to the surface.

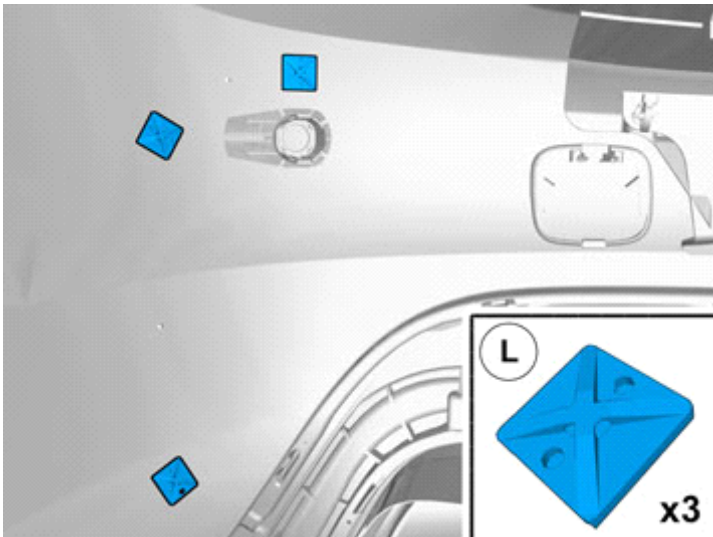
IMG-340694

84



IMG-340695

85



Remove the protective film.

Install component that comes with the accessory kit.

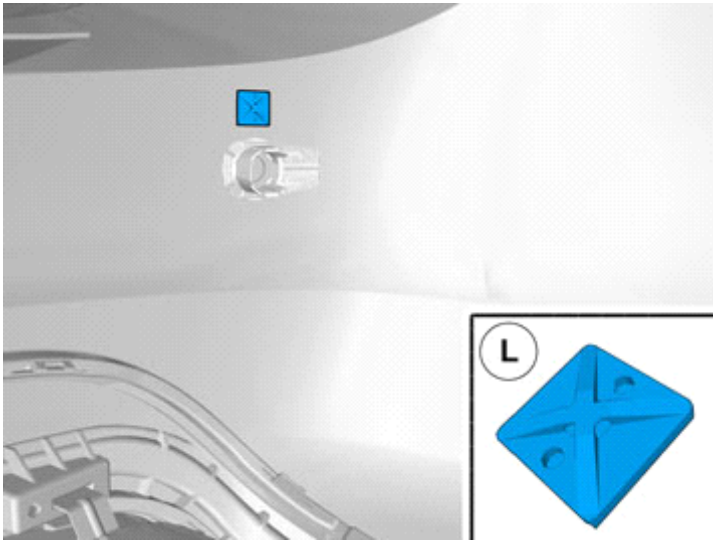
IMG-377529



# Installation instructions, accessories

Volvo Car Corporation Gothenburg, Sweden

86

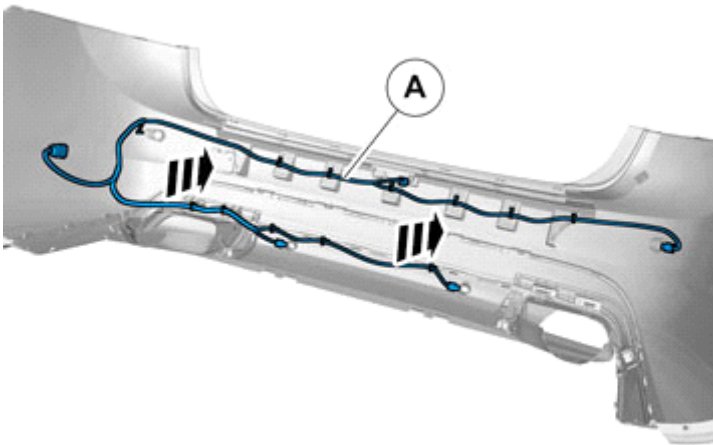


IMG-377530

Remove the protective film.

Install component that comes with the accessory kit.

87



IMG-377543

Put the wiring in the Bumper cover without installing the wiring.

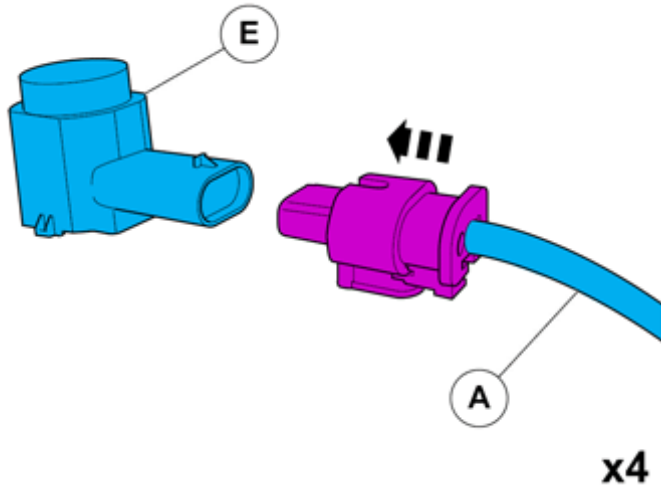


# Installation instructions, accessories

Volvo Car Corporation Gothenburg, Sweden

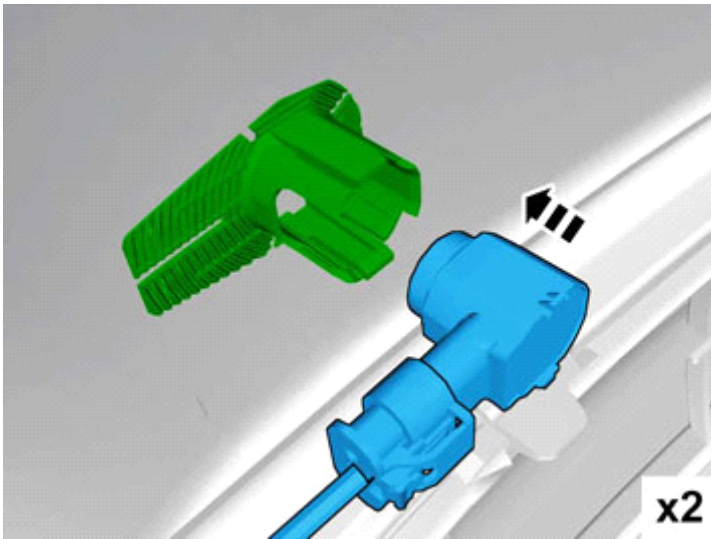
88

Connect the two painted sensors to the external connections.



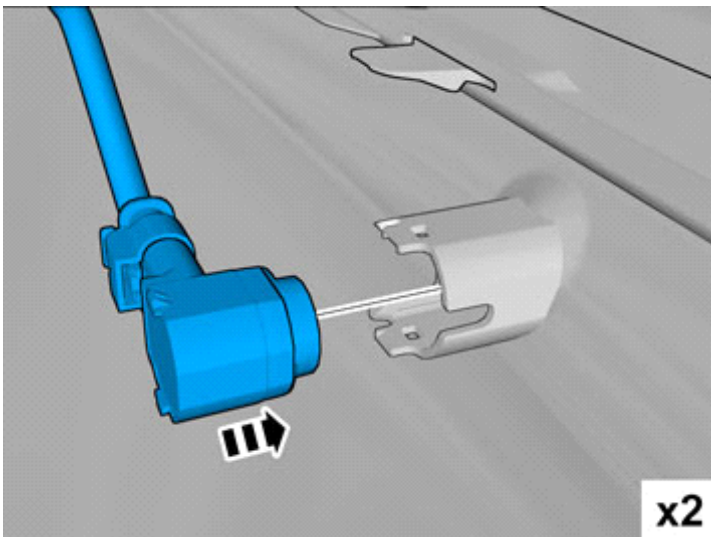
IMG-373743

89



IMG-377515

90



IMG-377758

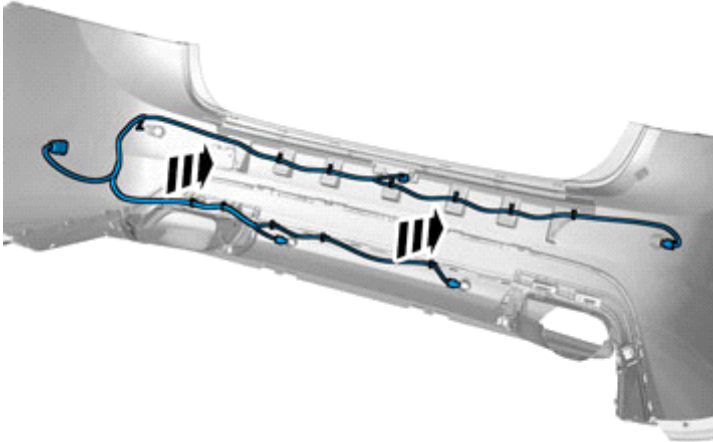


# Installation instructions, accessories

Volvo Car Corporation Gothenburg, Sweden

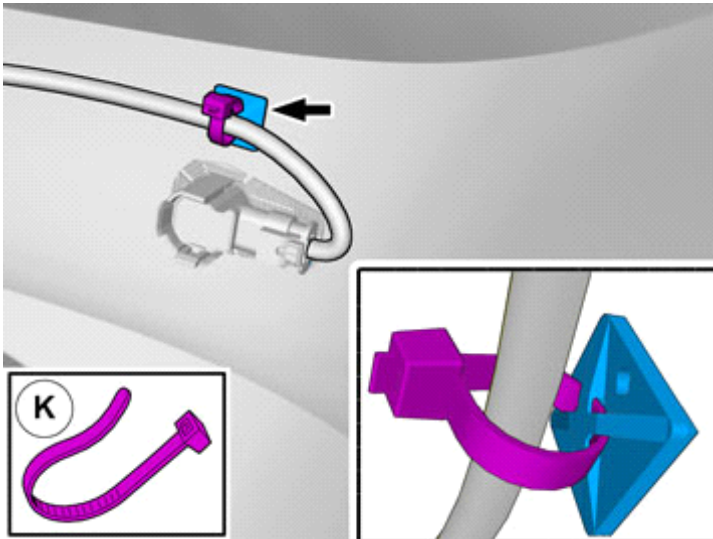
91

Fasten the wiring harness using the existing clips.



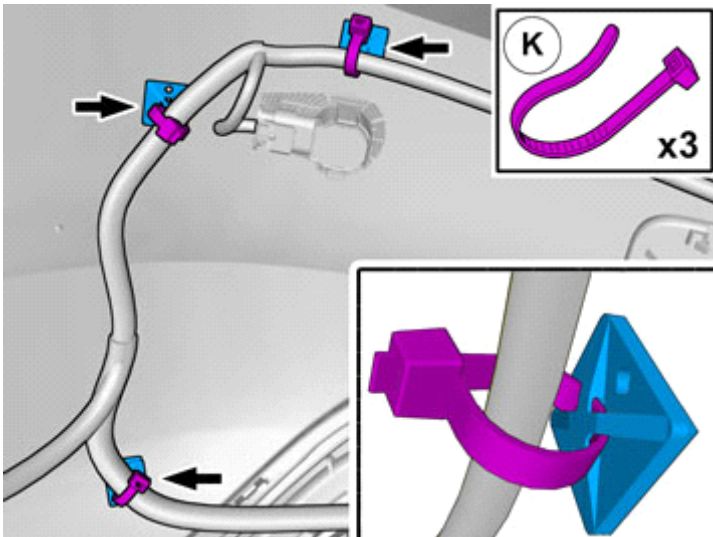
IMG-377638

92



IMG-377548

93



IMG-377549



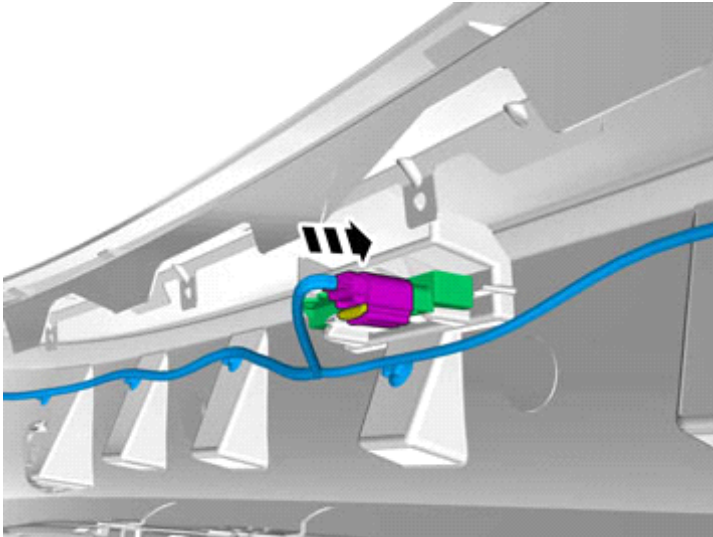


# Installation instructions, accessories

Volvo Car Corporation Gothenburg, Sweden

## Vehicles with keyless entry

94

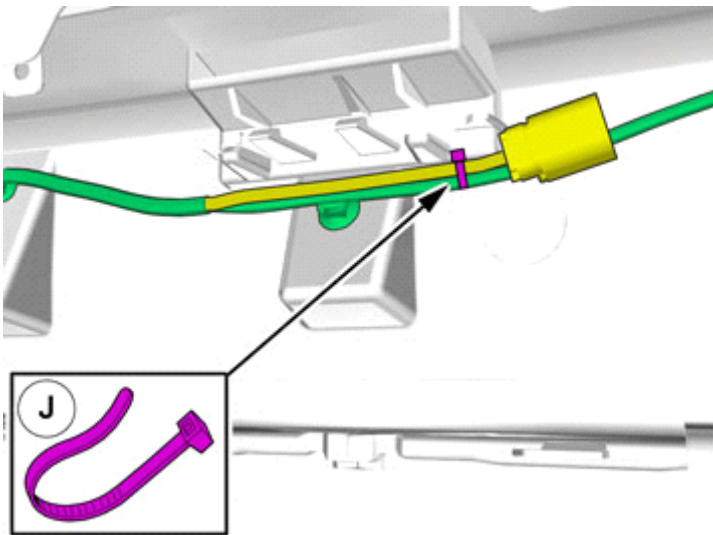


IMG-340705

Connect the connector.

## Vehicles without keyless entry

95



IMG-37757

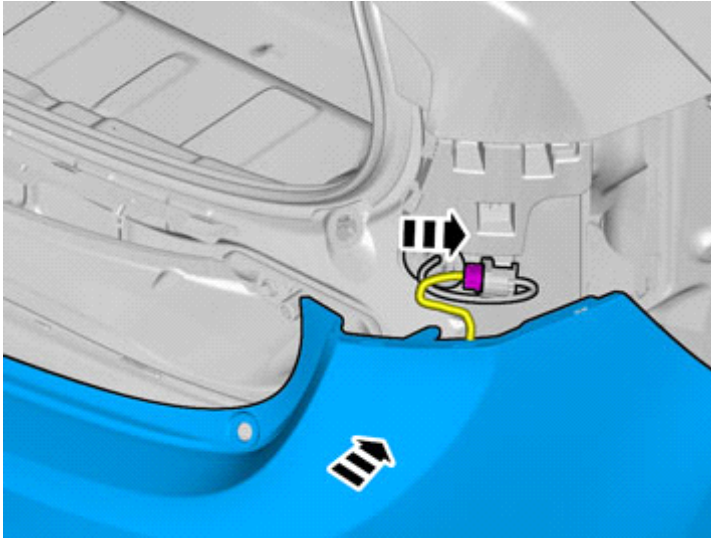
All vehicles



# Installation instructions, accessories

Volvo Car Corporation Gothenburg, Sweden

96



IMG-346526

Place the Bumper Cover in position for installation.

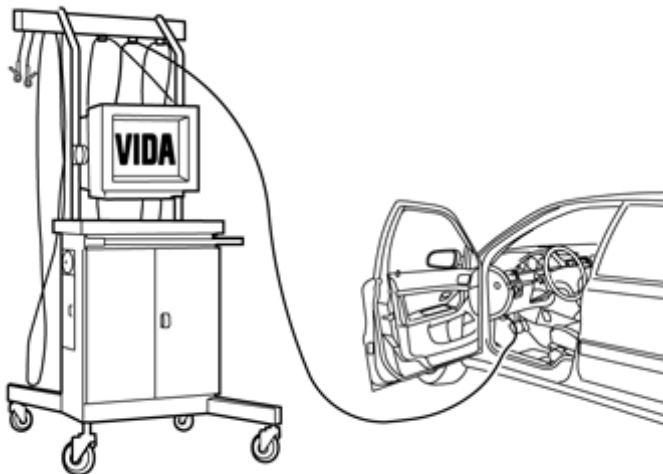
Connect the connector.

97

Reinstall the removed parts in reverse order.

IMG-377070

98



IMG-242268

Download software (application) for the accessory's function according to the service information in VIDA.

**Order and download software according to: 31266966**



# Installation instructions, accessories

Volvo Car Corporation Gothenburg, Sweden

---